

This product qualifies for

FREE REPLACEMENTS

Register now to get free replacements for the life of your device.

bodyguardz.com/register



What is covered: BodyGuardz warrants to the original purchaser that if this product proves defective in materials or workmanship for 1 year from the date of proof of purchase, it will be subject to the terms of this warranty and may be replaced at BodyGuardz option.

Limitations and exclusions: This warranty does not apply to any product which has suffered through normal wear and tear, accident, alteration, improper installation, physical abuse, misuse or neglect. Damage resulting from an act of God, including but not limited to fire, flood, earthquake and other natural disasters will be excluded. This limited warranty is in lieu of all other warranties, express or implied either in fact or by operations of law, statutory or otherwise, including, but not limited to any implied warranty of merchantability or fitness for a particular use. In no event, whether based in contract or tort shall BodyGuardz be liable for incidental, consequential, indirect, special, or punitive damages of any kind resulting from the use of this product. In no event shall BodyGuardz be liable for damage in excess of the purchase price. BodyGuardz and the BodyGuardz logo are registered trademarks of NLU Products®, LLC dba BodyGuardz.

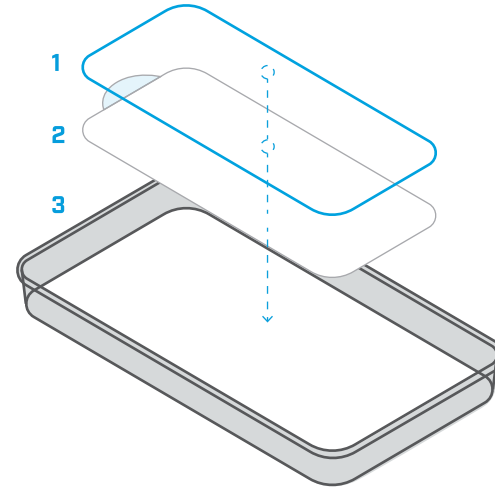
WARNING: This product is made of glass and should be handled with care if broken.

BODYGUARDZ®

bodyguardz.com



INSTALLATION GUIDE INSTRUCTIONS



BREAKDOWN:

- 1 GLASS PROTECTOR**
The thin, ultra-strong glass that will protect your device
- 2 PLASTIC BACKER**
A rigid plastic backer that protects the adhesive side of the protector
- 3 INSTALLATION GUIDE**
Plastic guide to precisely align the protector with your device

OPEN TO GET STARTED →

Guided Installation Instruction Booklet - Small

PAPER: 16PT [250 GSM] uncoated card stock
INK: 1/0 - PMS 299



BEFORE YOU BEGIN

- Remove case from your phone (if any)
- Place phone on a flat surface, screen up
- Clean your phone's screen thoroughly

PRO TIPS

INSTALL VIDEO

bodyguardz.com/install

DUST REMOVAL AFTER INSTALLATION

Use the provided dust removal stickers to pull out any trapped dust. Carefully lift up the corner of the glass closest to the dust particle and place the sticky side of the strip against the piece of dust. Then, pull dust sticker straight out.

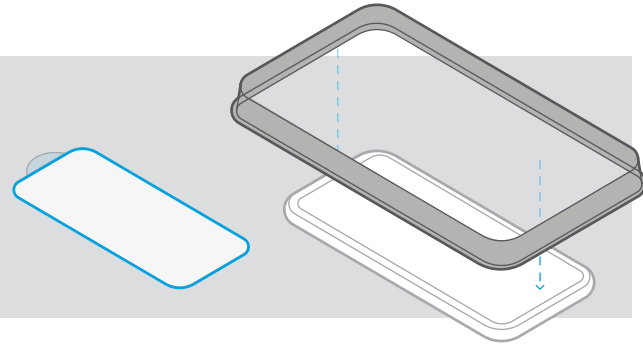
TO REMOVE PROTECTOR

Carefully lift one corner and slowly pull the glass off your device.

1

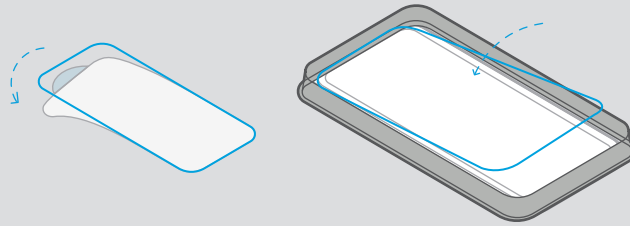
Place the install guide on top of your device.

Check orientation of phone and protector



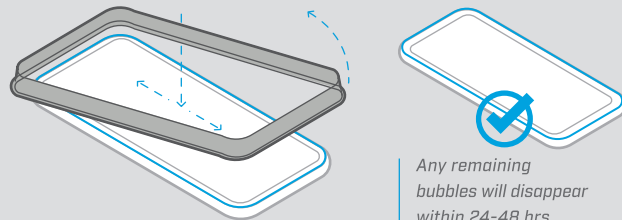
2

While holding the protector, peel off the plastic backer to expose the adhesive. Next, use the install guide to align the protector on the device.



3

Once aligned, run your finger firmly down the middle of the screen to begin adhesion. Then, remove install guide by lifting from the bottom.



Any remaining bubbles will disappear within 24-48 hrs

Nice Work!
Installation is complete.

Guided Installation Instruction Booklet - Small

PAPER: 16PT (250 GSM) uncoated card stock
INK: 1/0 - PMS 299