

This product qualifies for

FREE REPLACEMENTS

Register now to get free replacements for the life of your device.

bodyguardz.com/register



What is covered: BodyGuardz warrants to the original purchaser that if this product proves defective in materials or workmanship for 1 year from the date of proof of purchase, it will be subject to the terms of this warranty and may be replaced at BodyGuardz option.

Limitations and exclusions: This warranty does not apply to any product which has suffered through normal wear and tear, accident, alteration, improper installation, physical abuse, misuse or neglect. Damage resulting from an act of God, including but not limited to fire, flood, earthquake and other natural disasters will be excluded. This limited warranty is in lieu of all other warranties, express or implied either in fact or by operations of law, statutory or otherwise, including, but not limited to any implied warranty of merchantability or fitness for a particular use. In no event, whether based in contract or tort shall BodyGuardz be liable for incidental, consequential, indirect, special, or punitive damages of any kind resulting from the use of this product. In no event shall BodyGuardz be liable for damage in excess of the purchase price. BodyGuardz and the BodyGuardz logo are registered trademarks of NLU Products®, LLC dba BodyGuardz.

WARNING: This product is made of glass and should be handled with care if broken. The installation guide is not a protective case.

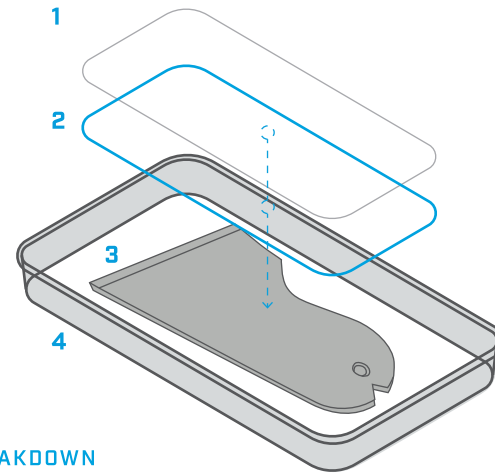
BODYGUARDZ®

bodyguardz.com



INSTALLATION GUIDE INSTRUCTIONS

Watch the install video at bodyguardz.com/install



BREAKDOWN

- 1 RELEASE LINER**
A clear film to shield the adhesive side of the protector
- 2 GLASS PROTECTOR**
The thin, ultra-strong glass that will protect your device
- 3 PLASTIC SQUEEGEE**
A plastic squeegee that applies hard, even pressure to the protector
- 4 INSTALLATION GUIDE**
This plastic guide will precisely align the protector to your device

OPEN TO GET STARTED →

Arc ES Guided Installation Instruction Booklet - Small

PAPER: 16PT [250 GSM] uncoated card stock

INK: 4/4 - CMYK



BEFORE YOU BEGIN

Watch the install video at bodyguardz.com/install

- Remove case from your phone (if any)
- Place phone on a flat surface, screen up
- Clean your phone's screen thoroughly
- Use the provided dust removal stickers to pull off any dust particles

PRO TIPS

DUST REMOVAL

Due to the unique characteristics of the curved adhesive, **it is critical there are no dust particles on your device** and that you slowly push out any air bubbles remaining after installation.

AIR BUBBLE REMOVAL

It may be easier to use your thumbnail to push the air bubbles toward the edges. Take your time using medium to heavy pressure.

If bubbles persist, move them as close to the nearest edge as possible. Slightly lift the glass near the bubble and press the bubble out while laying the screen back down.

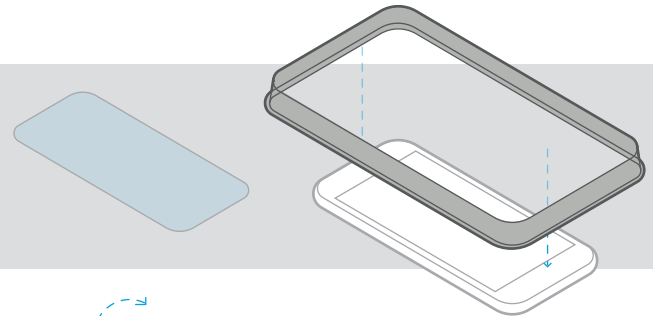
TO REMOVE PROTECTOR

Carefully lift one corner and slowly pull the glass off your device.

1

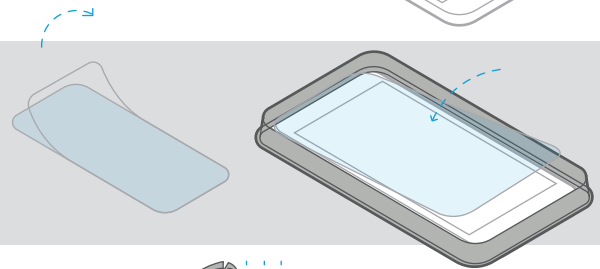
Place the install guide on top of your device.

Check orientation of phone and protector



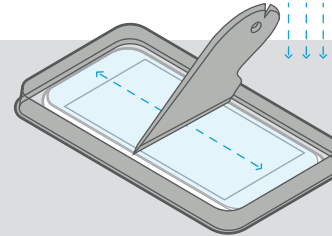
2

While holding the protector, peel off the release liner to expose the adhesive, then use the install guide to align and place the protector on the device.



3

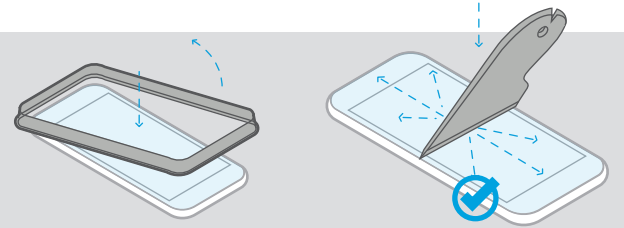
Once aligned and placed, slowly push the air bubbles out by running the plastic squeegee from the bottom to the top of the device. Use medium to heavy pressure. Repeat as needed.



If bubbles persist, move them as close to the nearest edge as possible. Slightly lift the glass near the bubble and press the bubble out while laying the screen back down.

4

Hold the protector down while removing the installation guide. Using the squeegee or your thumbnails, push out any small air bubbles from the middle in all directions.



Nice Work! Installation is complete.

Arc ES Guided Installation Instruction Booklet - Small

PAPER: 16PT [250 GSM] uncoated card stock
INK: 4/4 - CMYK