

BodyGuardz Pure 2 With Install Guide

INSTALLATION INSTRUCTIONS



Installation Kit

→ Instructions on reverse

1. Adhesive Release Liner

A clear film covering the adhesive side of the protector.

2. Glass Protector

The thin, ultra-strong glass that safeguards your device screen.

3. Cap Sheet

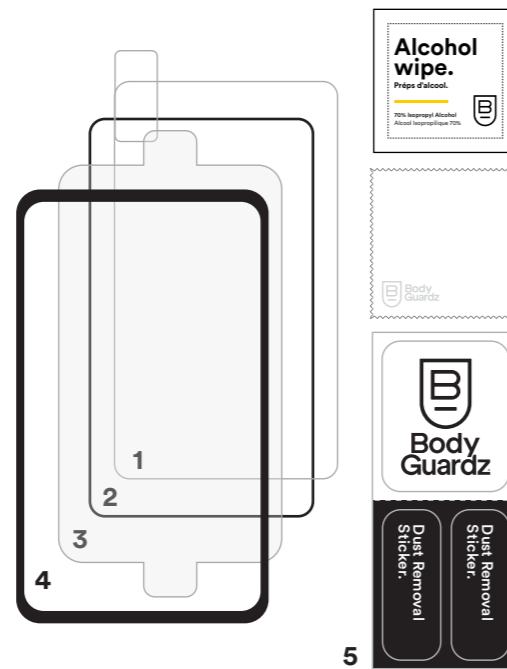
A clear film to shield the glass and help with install alignment.

4. Installation Guide

A plastic guide that precisely aligns the glass protector to your device.

5. Cleaning Kit

An alcohol wipe, a microfiber cleaning cloth, and dust removal stickers to prepare your screen for installation.



Replacement information: BodyGuardz warrants to the original purchaser that if this product proves defective in materials or workmanship for 1 year from the date of proof of purchase, it will be subject to the terms of this warranty and may be replaced at BodyGuardz option.

Replacement limitations and exclusions: When ordering a replacement, you are acknowledging that you will return your original BodyGuardz product within 60 days. BodyGuardz policy states that if the original protector is not returned in this time, customers will be charged full price for the replacement protector. You may also be asked to provide proof of purchase. Shipping and handling fees apply. Returning damaged screen protector is required and return postage may apply.

Warranty information: This warranty does not apply to any product which has suffered through normal wear and tear, accident, alteration, improper installation, physical abuse, misuse or neglect. Damage resulting from an act of God, including but not limited to fire, flood, earthquake and other natural disasters will be excluded. This limited warranty is in lieu of all other warranties, express or implied either in fact or by operations of law, statutory or otherwise, including, but not limited to any implied warranty of merchantability or fitness for a particular use. In no event, whether based in contract or tort shall BodyGuardz be liable for incidental, consequential, indirect, special, or punitive damages of any kind resulting from the use of this product. In no event shall BodyGuardz be liable for damage in excess of the purchase price. BodyGuardz and the BodyGuardz logo are registered trademarks of NLU Products®, LLC dba BodyGuardz.

WARNING: This product is made of glass and should be handled with care if broken.

BodyGuardz

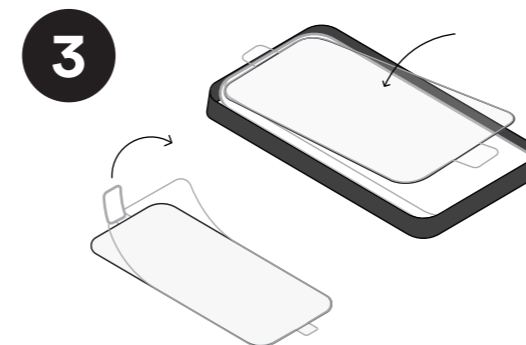
bodyguardz.com

Installation Instructions

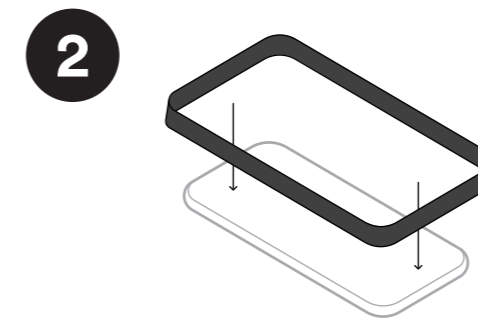
Install Video: bodyguardz.com/install



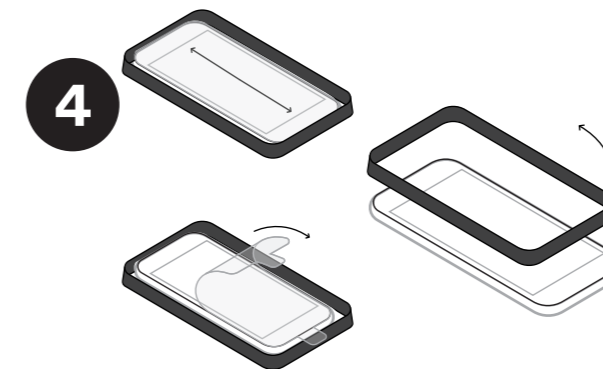
Use the provided alcohol wipe to clean your screen thoroughly. Wipe away any streaks with the microfiber cleaning cloth. Gently tap the dust removal sticker over the surface of the screen to remove any dust particles.



While holding the protector, peel off the release liner to expose the adhesive. Then, use the installation guide, camera, and sensors to align the protector on the device.



Place installation guide around the device, pressing down for a snug fit around the phone.



Once aligned, run your finger firmly down the middle of the screen to begin adhesion. Then, peel off the cap sheet. Finally, remove the installation guide by lifting from the bottom.

This product qualifies for **FREE Lifetime Replacements**

Register now to get free replacements for the life of your device.

bodyguardz.com/register

Replacements fulfilled by retail partners may carry additional fees and conditions.

Any remaining bubbles should disappear within 24-48 hrs.

Dust removal after installation:

Use the provided dust removal stickers to pull out any trapped dust. Carefully lift up the corner of the glass closest to the dust particle and place the sticky side of the strip against the piece of dust. Then, pull dust sticker straight out.

To remove protector:

Carefully lift one corner and slowly pull the glass off your device.

BodyGuardz Pure 2 Without Install Guide

INSTALLATION INSTRUCTIONS



Installation Kit

→ Instructions on reverse

1. Adhesive Release Liner

A clear film covering the adhesive side of the protector.

2. Glass Protector

The thin, ultra-strong glass that safeguards your device screen.

3. Cap Sheet

A clear film to shield the glass and help with install alignment.

4. Cleaning Kit

An alcohol wipe, a microfiber cleaning cloth, and dust removal stickers to prepare your screen for installation.



Replacement information: BodyGuardz warrants to the original purchaser that if this product proves defective in materials or workmanship for 1 year from the date of proof of purchase, it will be subject to the terms of this warranty and may be replaced at BodyGuardz option.

Replacement limitations and exclusions: When ordering a replacement, you are acknowledging that you will return your original BodyGuardz product within 60 days. BodyGuardz policy states that if the original protector is not returned in this time, customers will be charged full price for the replacement protector. You may also be asked to provide proof of purchase. Shipping and handling fees apply. Returning damaged screen protector is required and return postage may apply.

Warranty information: This warranty does not apply to any product which has suffered through normal wear and tear, accident, alteration, improper installation, physical abuse, misuse or neglect. Damage resulting from an act of God, including but not limited to fire, flood, earthquake and other natural disasters will be excluded. This limited warranty is in lieu of all other warranties, express or implied either in fact or by operations of law, statutory or otherwise, including, but not limited to any implied warranty of merchantability or fitness for a particular use. In no event, whether based in contract or tort shall BodyGuardz be liable for incidental, consequential, indirect, special, or punitive damages of any kind resulting from the use of this product. In no event shall BodyGuardz be liable for damage in excess of the purchase price. BodyGuardz and the BodyGuardz logo are registered trademarks of NLU Products®, LLC dba BodyGuardz.

WARNING: This product is made of glass and should be handled with care if broken.

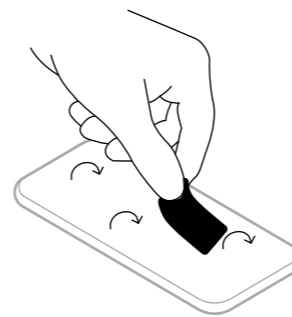
BodyGuardz

bodyguardz.com

Installation Instructions

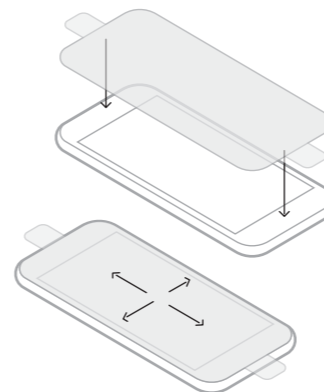
Install Video: bodyguardz.com/install

1



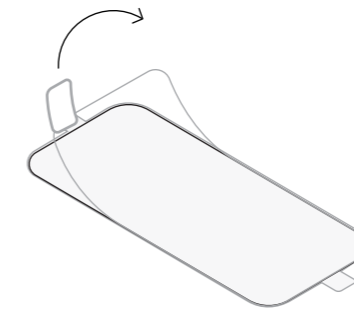
Use the provided alcohol wipe to clean your screen thoroughly. Wipe away any streaks with the microfiber cleaning cloth. Gently tap the dust removal sticker over the surface of the screen to remove any dust particles.

3



Align the protector over your device and gently lay it down. When placed, run your finger firmly down the middle of the screen, then side-to-side to adhere.

2



While holding the protector, peel off the release liner to expose the adhesive.

4



Use the included cleaning cloth to push out any bubbles, then peel off the cap sheet.

This product qualifies for **FREE Lifetime Replacements**

Register now to get free replacements for the life of your device.

bodyguardz.com/register

Replacements fulfilled by retail partners may carry additional fees and conditions.

Any remaining bubbles should disappear within 24-48 hrs.

Dust removal after installation:

Use the provided dust removal stickers to pull out any trapped dust. Carefully lift up the corner of the glass closest to the dust particle and place the sticky side of the strip against the piece of dust. Then, pull dust sticker straight out.

To remove protector:

Carefully lift one corner and slowly pull the glass off your device.

BodyGuardz Pure 2 Edge With Install Guide

INSTALLATION INSTRUCTIONS



Installation Kit

→ Instructions on reverse

1. Plastic Backer

A plastic cover over the adhesive side of the protector.

2. Glass Protector

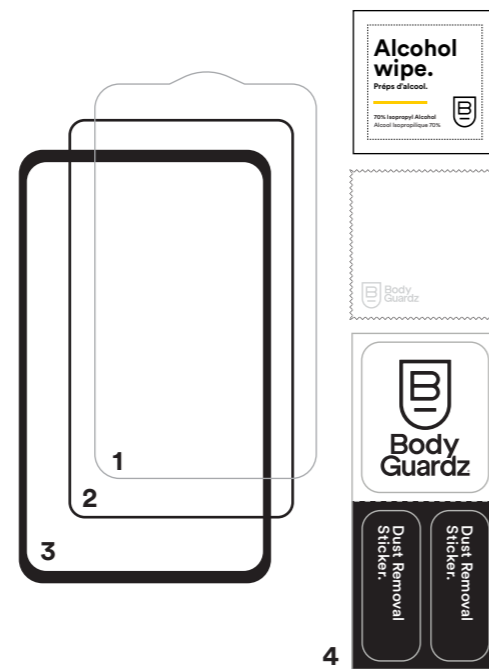
The thin, ultra-strong glass that safeguards your device screen.

3. Installation Guide

A plastic guide that precisely aligns the glass protector to your device.

4. Cleaning Kit

An alcohol wipe, a microfiber cleaning cloth, and dust removal stickers to prepare your screen for installation.



Replacement information: BodyGuardz warrants to the original purchaser that if this product proves defective in materials or workmanship for 1 year from the date of proof of purchase, it will be subject to the terms of this warranty and may be replaced at BodyGuardz option.

Replacement limitations and exclusions: When ordering a replacement, you are acknowledging that you will return your original BodyGuardz product within 60 days. BodyGuardz policy states that if the original protector is not returned in this time, customers will be charged full price for the replacement protector. You may also be asked to provide proof of purchase. Shipping and handling fees apply. Returning damaged screen protector is required and return postage may apply.

Warranty information: This warranty does not apply to any product which has suffered through normal wear and tear, accident, alteration, improper installation, physical abuse, misuse or neglect. Damage resulting from an act of God, including but not limited to fire, flood, earthquake and other natural disasters will be excluded. This limited warranty is in lieu of all other warranties, express or implied either in fact or by operations of law, statutory or otherwise, including, but not limited to any implied warranty of merchantability or fitness for a particular use. In no event, whether based in contract or tort shall BodyGuardz be liable for incidental, consequential, indirect, special, or punitive damages of any kind resulting from the use of this product. In no event shall BodyGuardz be liable for damage in excess of the purchase price. BodyGuardz and the BodyGuardz logo are registered trademarks of NLU Products®, LLC dba BodyGuardz.

WARNING: This product is made of glass and should be handled with care if broken.

BodyGuardz

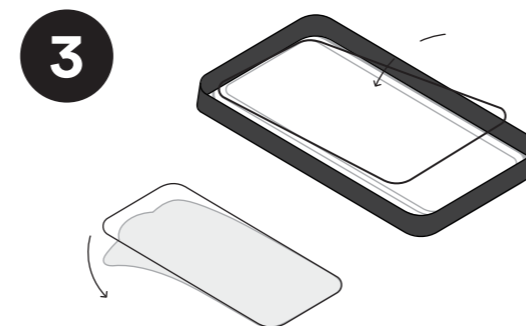
bodyguardz.com

Installation Instructions

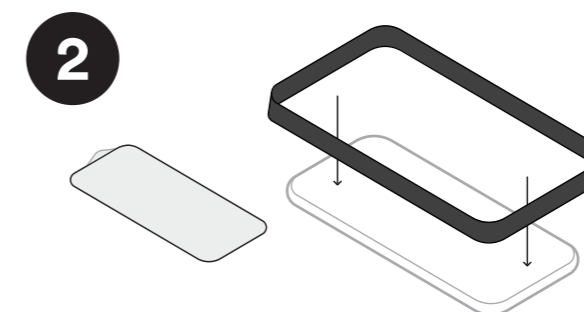
Install Video: bodyguardz.com/install



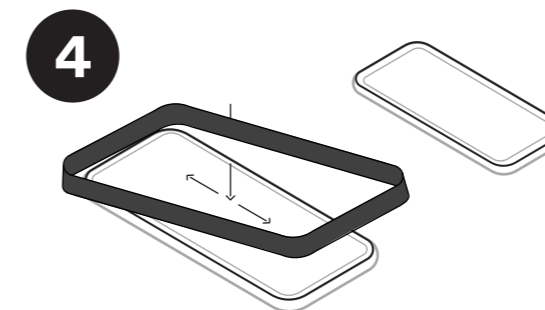
Use the provided alcohol wipe to clean your screen thoroughly. Wipe away any streaks with the microfiber cleaning cloth. Gently tap the dust removal sticker over the surface of the screen to remove any dust particles.



While holding the protector, peel off the plastic backer to expose the adhesive. Next, use the install guide to align the protector on the device.



Place the install guide on top of your device. Check orientation of phone and protector.



Once aligned, run your finger firmly down the middle of the screen to begin adhesion. Then, remove install guide by lifting from the bottom. Push remaining bubbles to the edges with your finger and cleaning cloth.

This product qualifies for **FREE Lifetime Replacements**

Register now to get free replacements for the life of your device.

bodyguardz.com/register

Replacements fulfilled by retail partners may carry additional fees and conditions.

Any remaining bubbles should disappear within 24-48 hrs.

Dust removal after installation:

Use the provided dust removal stickers to pull out any trapped dust. Carefully lift up the corner of the glass closest to the dust particle and place the sticky side of the strip against the piece of dust. Then, pull dust sticker straight out.

To remove protector:

Carefully lift one corner and slowly pull the glass off your device.

BodyGuardz Pure 2 Edge Without Install Guide

INSTALLATION INSTRUCTIONS



Installation Kit

→ Instructions on reverse

1. Plastic Backer

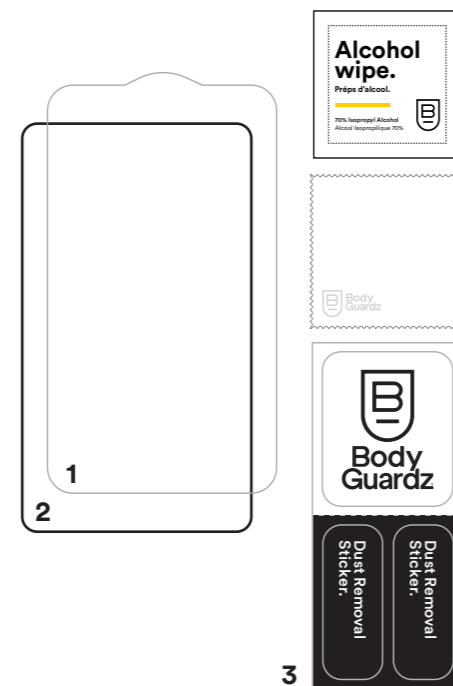
A plastic cover over the adhesive side of the protector.

2. Glass Protector

The thin, ultra-strong glass that safeguards your device screen.

3. Cleaning Kit

An alcohol wipe, a microfiber cleaning cloth, and dust removal stickers to prepare your screen for installation.



Replacement information: BodyGuardz warrants to the original purchaser that if this product proves defective in materials or workmanship for 1 year from the date of proof of purchase, it will be subject to the terms of this warranty and may be replaced at BodyGuardz option.

Replacement limitations and exclusions: When ordering a replacement, you are acknowledging that you will return your original BodyGuardz product within 60 days. BodyGuardz policy states that if the original protector is not returned in this time, customers will be charged full price for the replacement protector. You may also be asked to provide proof of purchase. Shipping and handling fees apply. Returning damaged screen protector is required and return postage may apply.

Warranty information: This warranty does not apply to any product which has suffered through normal wear and tear, accident, alteration, improper installation, physical abuse, misuse or neglect. Damage resulting from an act of God, including but not limited to fire, flood, earthquake and other natural disasters will be excluded. This limited warranty is in lieu of all other warranties, express or implied either in fact or by operations of law, statutory or otherwise, including, but not limited to any implied warranty of merchantability or fitness for a particular use. In no event, whether based in contract or tort shall BodyGuardz be liable for incidental, consequential, indirect, special, or punitive damages of any kind resulting from the use of this product. In no event shall BodyGuardz be liable for damage in excess of the purchase price. BodyGuardz and the BodyGuardz logo are registered trademarks of NLU Products®, LLC dba BodyGuardz.

WARNING: This product is made of glass and should be handled with care if broken.

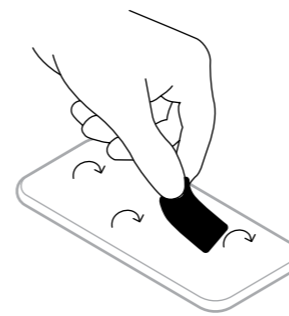
BodyGuardz

bodyguardz.com

Installation Instructions

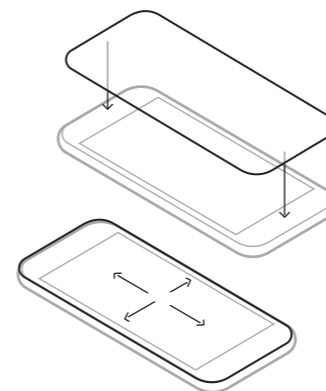
Install Video: bodyguardz.com/install

1



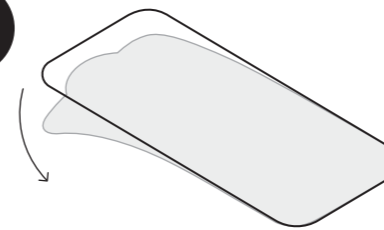
Use the provided alcohol wipe to clean your screen thoroughly. Wipe away any streaks with the microfiber cleaning cloth. Gently tap the dust removal sticker over the surface of the screen to remove any dust particles.

3



Align the protector over your device, using the speaker hole as a guide, and gently lay it down from top to bottom. When placed, run your finger firmly down the middle of the screen and then side-to-side to adhere.

2



While holding the protector, peel off the plastic backer to expose the adhesive.

4



Use the included microfiber cleaning cloth to push out any bubbles.

This product qualifies for **FREE Lifetime Replacements**

Register now to get free replacements for the life of your device.

bodyguardz.com/register

Replacements fulfilled by retail partners may carry additional fees and conditions.

Any remaining bubbles should disappear within 24-48 hrs.

Dust removal after installation:

Use the provided dust removal stickers to pull out any trapped dust. Carefully lift up the corner of the glass closest to the dust particle and place the sticky side of the strip against the piece of dust. Then, pull dust sticker straight out.

To remove protector:

Carefully lift one corner and slowly pull the glass off your device.

BodyGuardz Pure 2 With Install Guide - Tablets

INSTALLATION INSTRUCTIONS



Installation Kit

→ Instructions on reverse

1. Adhesive Release Liner

A clear film covering the adhesive side of the protector.

2. Glass Protector

The thin, ultra-strong glass that safeguards your device screen.

3. Cap Sheet

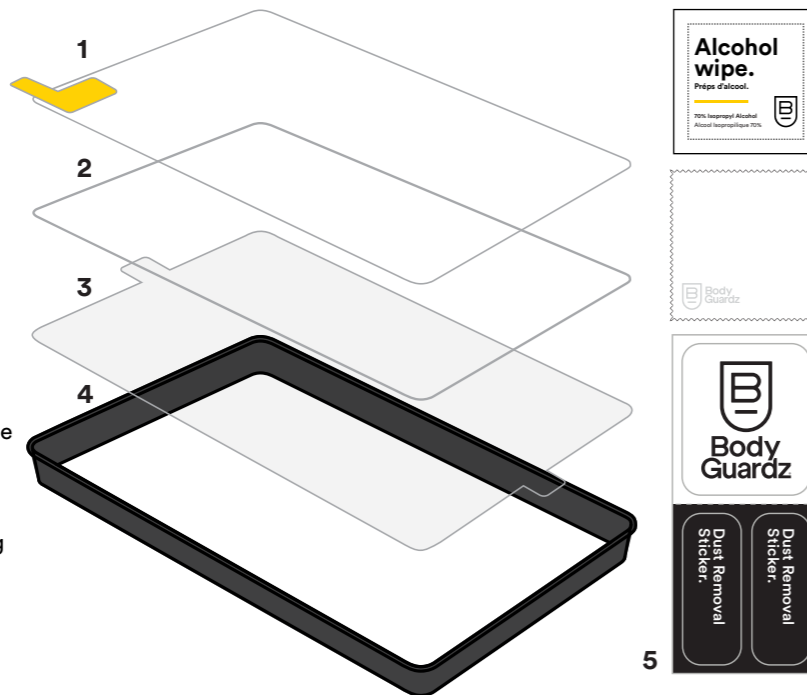
A clear film to shield the glass and help with install alignment.

4. Installation Guide

A plastic guide that precisely aligns the glass protector to your device.

5. Cleaning Kit

An alcohol wipe, a microfiber cleaning cloth, and dust removal stickers to prepare your screen for installation.



Replacement information: BodyGuardz warrants to the original purchaser that if this product proves defective in materials or workmanship for 1 year from the date of proof of purchase, it will be subject to the terms of this warranty and may be replaced at BodyGuardz option.

Replacement limitations and exclusions: When ordering a replacement, you are acknowledging that you will return your original BodyGuardz product within 60 days. BodyGuardz policy states that if the original protector is not returned in this time, customers will be charged full price for the replacement protector. You may also be asked to provide proof of purchase. Shipping and handling fees apply. Returning damaged screen protector is required and return postage may apply.

Warranty information: This warranty does not apply to any product which has suffered through normal wear and tear, accident, alteration, improper installation, physical abuse, misuse or neglect. Damage resulting from an act of God, including but not limited to fire, flood, earthquake and other natural disasters will be excluded. This limited warranty is in lieu of all other warranties, express or implied either in fact or by operations of law, statutory or otherwise, including, but not limited to any implied warranty of merchantability or fitness for a particular use. In no event, whether based in contract or tort shall BodyGuardz be liable for incidental, consequential, indirect, special, or punitive damages of any kind resulting from the use of this product. In no event shall BodyGuardz be liable for damage in excess of the purchase price. BodyGuardz and the BodyGuardz logo are registered trademarks of NLU Products®, LLC dba BodyGuardz.

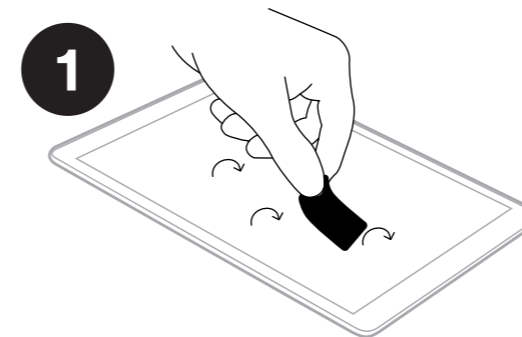
WARNING: This product is made of glass and should be handled with care if broken.

BodyGuardz

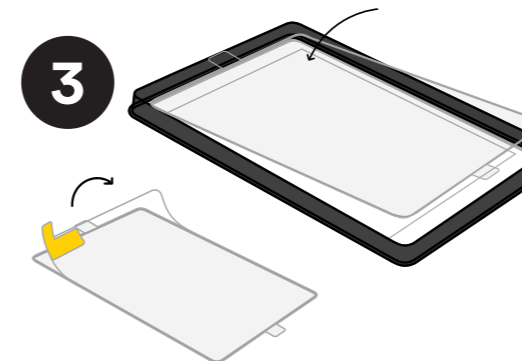
bodyguardz.com

Installation Instructions

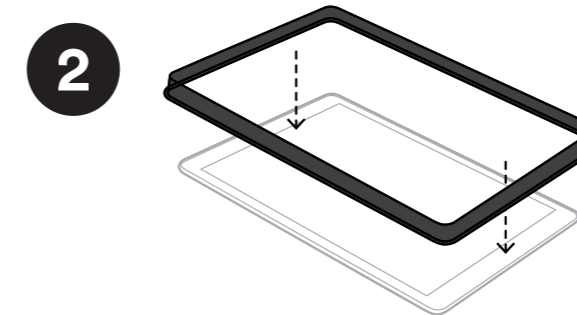
Install Video: bodyguardz.com/install



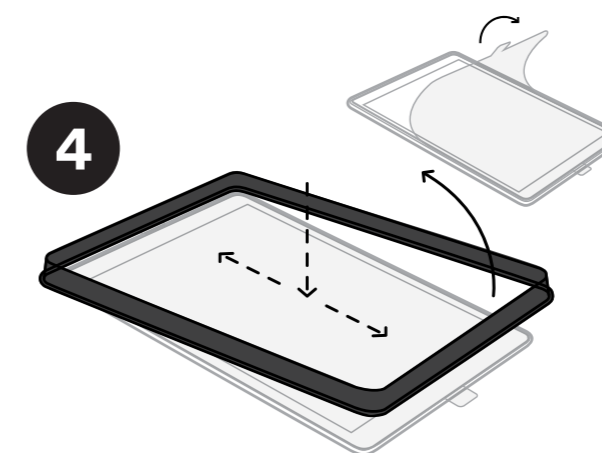
Use the provided alcohol wipe to clean your screen thoroughly. Wipe away any streaks with the microfiber cleaning cloth. Gently tap the dust removal sticker over the surface of the screen to remove any dust particles.



While holding the protector, peel off the release liner to expose the adhesive. Then, use the installation guide, camera, and sensors to align the protector on the device.



Place installation guide around the device, pressing down for a snug fit around the tablet.



Once aligned, run your finger firmly down the middle of the screen to begin adhesion. Then, peel off the cap sheet. Finally, remove the installation guide by lifting from the bottom.

This product qualifies for **FREE Lifetime Replacements**

Register now to get free replacements for the life of your device.

bodyguardz.com/register

Replacements fulfilled by retail partners may carry additional fees and conditions.

Any remaining bubbles should disappear within 24-48 hrs.

Dust removal after installation:

Use the provided dust removal stickers to pull out any trapped dust. Carefully lift up the corner of the glass closest to the dust particle and place the sticky side of the strip against the piece of dust. Then, pull dust sticker straight out.

To remove protector:

Carefully lift one corner and slowly pull the glass off your device.

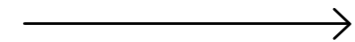
BodyGuardz Pure 2 - Express Align

INSTALLATION INSTRUCTIONS



Installation Kit

Instructions on reverse



1. Adhesive Release Liner

A clear film covering the adhesive side of the protector.

2. Glass Protector

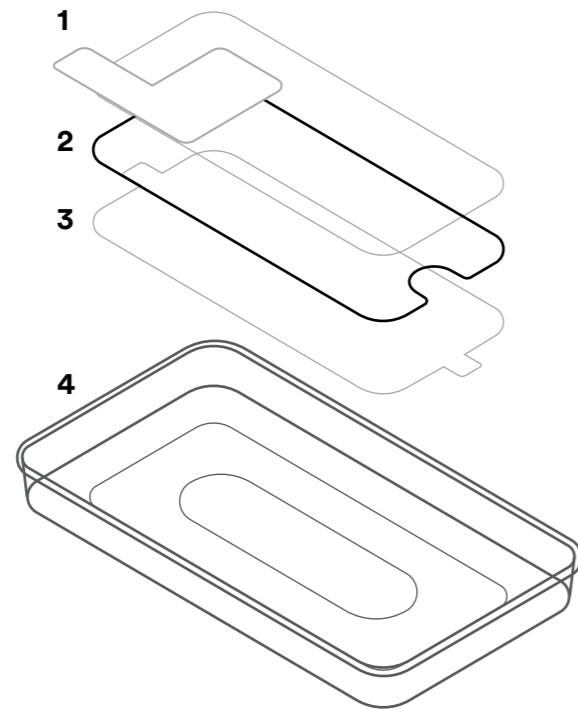
The thin, ultra-strong glass that will protect your device.

3. Cap Sheet

A clear film to shield the glass and help with install alignment.

4. Express Align Tray

A plastic tray to precisely align the protector to your device.



Replacement information: BodyGuardz warrants to the original purchaser that if this product proves defective in materials or workmanship for 1 year from the date of proof of purchase, it will be subject to the terms of this warranty and may be replaced at BodyGuardz option.

Replacement limitations and exclusions: When ordering a replacement, you are acknowledging that you will return your original BodyGuardz product within 60 days. BodyGuardz policy states that if the original protector is not returned in this time, customers will be charged full price for the replacement protector. You may also be asked to provide proof of purchase. Shipping and handling fees apply. Returning damaged screen protector is required and return postage may apply.

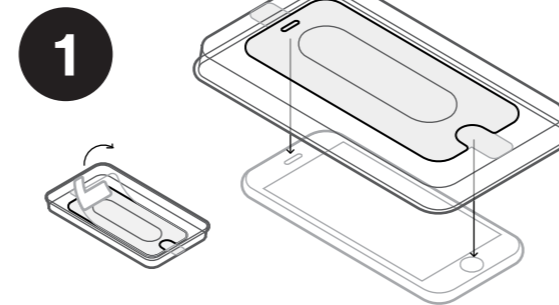
Warranty information: This warranty does not apply to any product which has suffered through normal wear and tear, accident, alteration, improper installation, physical abuse, misuse or neglect. Damage resulting from an act of God, including but not limited to fire, flood, earthquake and other natural disasters will be excluded. This limited warranty is in lieu of all other warranties, express or implied either in fact or by operations of law, statutory or otherwise, including, but not limited to any implied warranty of merchantability or fitness for a particular use. In no event, whether based in contract or tort shall BodyGuardz be liable for incidental, consequential, indirect, special, or punitive damages of any kind resulting from the use of this product. In no event shall BodyGuardz be liable for damage in excess of the purchase price. BodyGuardz and the BodyGuardz logo are registered trademarks of NLU Products®, LLC dba BodyGuardz.

BodyGuardz

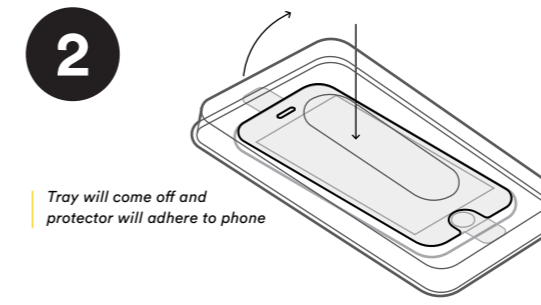
bodyguardz.com

Installation Instructions

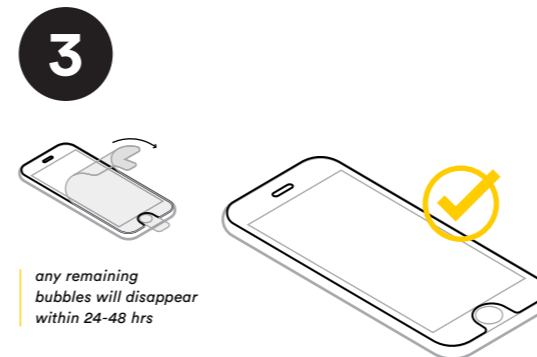
Install Video: bodyguardz.com/install



While holding the tray, peel off the release liner to expose the adhesive, then place the tray on top of your device. Check orientation of phone & protector.



Through the opening in the tray, firmly press and hold the glass protector down with your finger, while pulling the tray off with your other hand.



Use the included cleaning cloth to push out any bubbles, then peel off the cap sheet.

This product qualifies for **FREE Lifetime Replacements**

Register now to get free replacements for the life of your device.

bodyguardz.com/register

Replacements fulfilled by retail partners may carry additional fees and conditions.

Any remaining bubbles should disappear within 24-48 hrs.

Dust removal after installation:

Use the provided dust removal stickers to pull out any trapped dust. Carefully lift up the corner of the glass closest to the dust particle and place the sticky side of the strip against the piece of dust. Then, pull dust sticker straight out.

To remove protector:

Carefully lift one corner and slowly pull the glass off your device.

BodyGuardz SpyGlass Edge with Install Guide

INSTALLATION INSTRUCTIONS



Installation Kit

→ Instructions on reverse

1. Plastic Backer

A plastic cover over the adhesive side of the protector.

2. Glass Protector

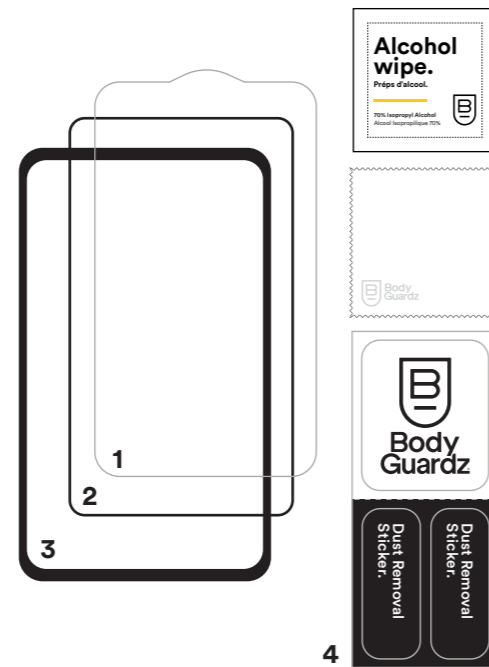
The thin, ultra-strong glass that safeguards your device screen.

3. Installation Guide

A plastic guide that precisely aligns the glass protector to your device.

4. Cleaning Kit

An alcohol wipe, a microfiber cleaning cloth, and dust removal stickers to prepare your screen for installation.



Replacement information: BodyGuardz warrants to the original purchaser that if this product proves defective in materials or workmanship for 1 year from the date of proof of purchase, it will be subject to the terms of this warranty and may be replaced at BodyGuardz option.

Replacement limitations and exclusions: When ordering a replacement, you are acknowledging that you will return your original BodyGuardz product within 60 days. BodyGuardz policy states that if the original protector is not returned in this time, customers will be charged full price for the replacement protector. You may also be asked to provide proof of purchase. Shipping and handling fees apply. Returning damaged screen protector is required and return postage may apply.

Warranty information: This warranty does not apply to any product which has suffered through normal wear and tear, accident, alteration, improper installation, physical abuse, misuse or neglect. Damage resulting from an act of God, including but not limited to fire, flood, earthquake and other natural disasters will be excluded. This limited warranty is in lieu of all other warranties, express or implied either in fact or by operations of law, statutory or otherwise, including, but not limited to any implied warranty of merchantability or fitness for a particular use. In no event, whether based in contract or tort shall BodyGuardz be liable for incidental, consequential, indirect, special, or punitive damages of any kind resulting from the use of this product. In no event shall BodyGuardz be liable for damage in excess of the purchase price. BodyGuardz and the BodyGuardz logo are registered trademarks of NLU Products®, LLC dba BodyGuardz.

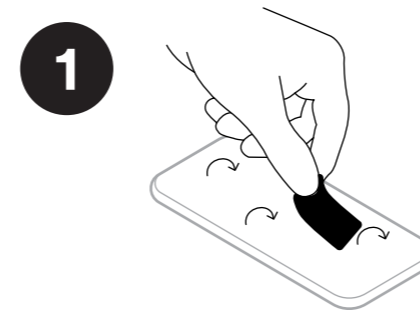
WARNING: This product is made of glass and should be handled with care if broken.

BodyGuardz

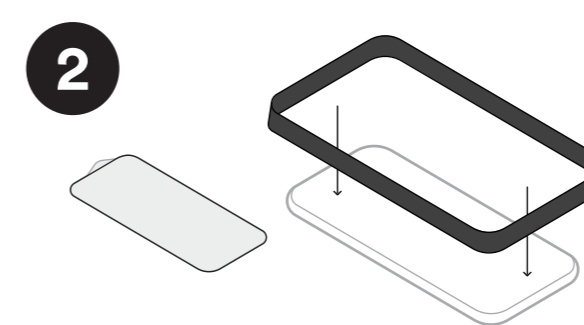
bodyguardz.com

Installation Instructions

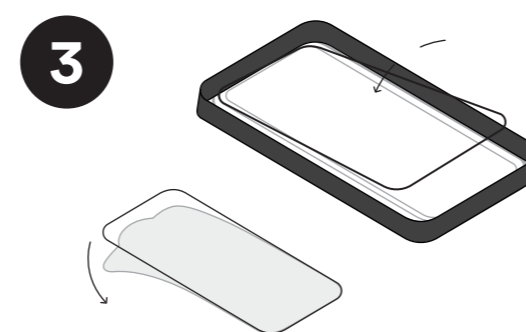
Install Video: bodyguardz.com/install



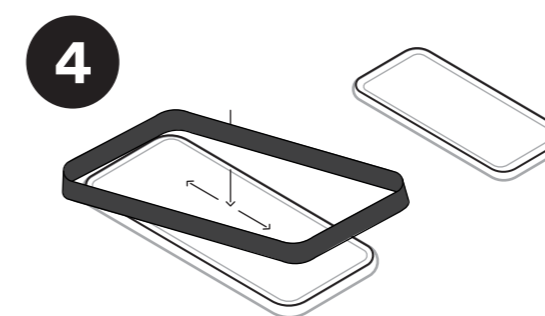
Use the provided alcohol wipe to clean your screen thoroughly. Wipe away any streaks with the microfiber cleaning cloth. Gently tap the dust removal sticker over the surface of the screen to remove any dust particles.



Place the install guide on top of your device. Check orientation of phone and protector.



While holding the protector, peel off the plastic backer to expose the adhesive. Next, use the install guide to align the protector on the device.



Once aligned, run your finger firmly down the middle of the screen to begin adhesion. Then, remove install guide by lifting from the bottom. Push remaining bubbles to the edges with your finger and cleaning cloth.

This product qualifies for **FREE Lifetime Replacements**

Register now to get free replacements for the life of your device.

bodyguardz.com/register

Replacements fulfilled by retail partners may carry additional fees and conditions.

Any remaining bubbles should disappear within 24-48 hrs.

Dust removal after installation:

Use the provided dust removal stickers to pull out any trapped dust. Carefully lift up the corner of the glass closest to the dust particle and place the sticky side of the strip against the piece of dust. Then, pull dust sticker straight out.

To remove protector:

Carefully lift one corner and slowly pull the glass off your device.

BodyGuardz EyeGuard Edge with Install Guide

INSTALLATION INSTRUCTIONS



Installation Kit

→ Instructions on reverse

1. Plastic Backer

A plastic cover over the adhesive side of the protector.

2. Glass Protector

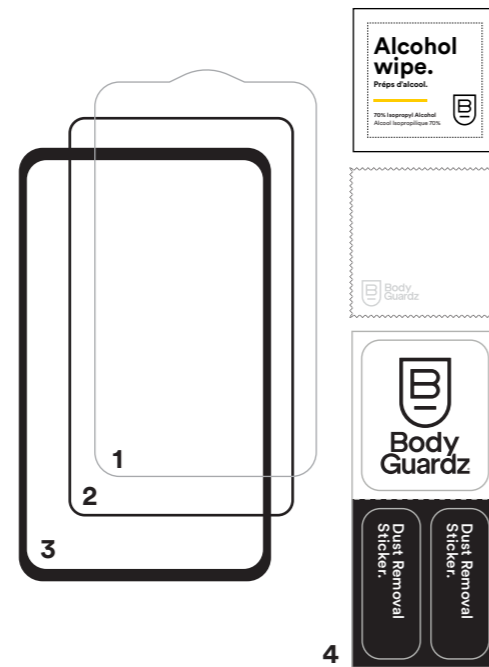
The thin, ultra-strong glass that safeguards your device screen.

3. Installation Guide

A plastic guide that precisely aligns the glass protector to your device.

4. Cleaning Kit

An alcohol wipe, a microfiber cleaning cloth, and dust removal stickers to prepare your screen for installation.



Replacement information: BodyGuardz warrants to the original purchaser that if this product proves defective in materials or workmanship for 1 year from the date of proof of purchase, it will be subject to the terms of this warranty and may be replaced at BodyGuardz option.

Replacement limitations and exclusions: When ordering a replacement, you are acknowledging that you will return your original BodyGuardz product within 60 days. BodyGuardz policy states that if the original protector is not returned in this time, customers will be charged full price for the replacement protector. You may also be asked to provide proof of purchase. Shipping and handling fees apply. Returning damaged screen protector is required and return postage may apply.

Warranty information: This warranty does not apply to any product which has suffered through normal wear and tear, accident, alteration, improper installation, physical abuse, misuse or neglect. Damage resulting from an act of God, including but not limited to fire, flood, earthquake and other natural disasters will be excluded. This limited warranty is in lieu of all other warranties, express or implied either in fact or by operations of law, statutory or otherwise, including, but not limited to any implied warranty of merchantability or fitness for a particular use. In no event, whether based in contract or tort shall BodyGuardz be liable for incidental, consequential, indirect, special, or punitive damages of any kind resulting from the use of this product. In no event shall BodyGuardz be liable for damage in excess of the purchase price. BodyGuardz and the BodyGuardz logo are registered trademarks of NLU Products®, LLC dba BodyGuardz.

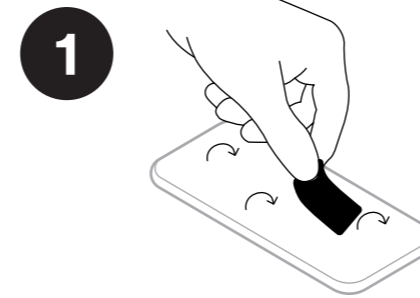
WARNING: This product is made of glass and should be handled with care if broken.

BodyGuardz

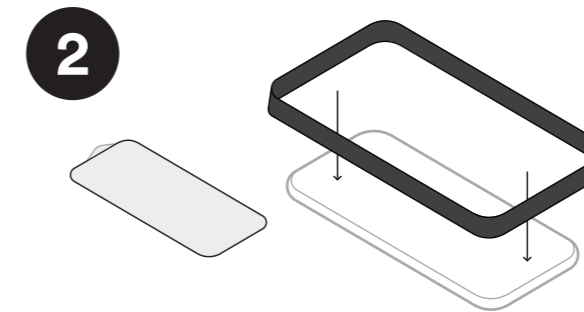
bodyguardz.com

Installation Instructions

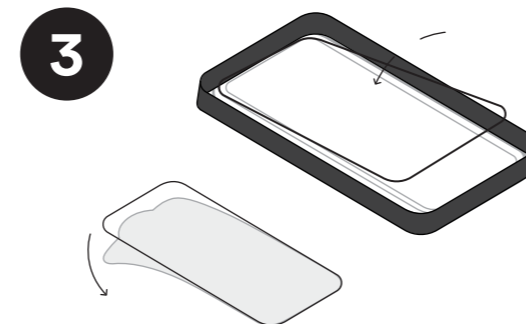
Install Video: bodyguardz.com/install



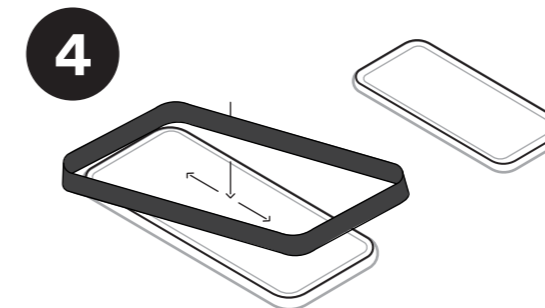
Use the provided alcohol wipe to clean your screen thoroughly. Wipe away any streaks with the microfiber cleaning cloth. Gently tap the dust removal sticker over the surface of the screen to remove any dust particles.



Place the install guide on top of your device. Check orientation of phone and protector.



While holding the protector, peel off the plastic backer to expose the adhesive. Next, use the install guide to align the protector on the device.



Once aligned, run your finger firmly down the middle of the screen to begin adhesion. Then, remove install guide by lifting from the bottom. Push remaining bubbles to the edges with your finger and cleaning cloth.

This product qualifies for **FREE Lifetime Replacements**

Register now to get free replacements for the life of your device.

bodyguardz.com/register

Replacements fulfilled by retail partners may carry additional fees and conditions.

Any remaining bubbles should disappear within 24-48 hrs.

Dust removal after installation:

Use the provided dust removal stickers to pull out any trapped dust. Carefully lift up the corner of the glass closest to the dust particle and place the sticky side of the strip against the piece of dust. Then, pull dust sticker straight out.

To remove protector:

Carefully lift one corner and slowly pull the glass off your device.

BodyGuardz PRTX with Install Guide - Bottom Install Guide

INSTALLATION INSTRUCTIONS



Installation Kit

→ Instructions on reverse

1. Adhesive Release Liner

A clear film covering the adhesive side of the protector.

2. Screen Protector

The shatterproof, synthetic glass that will protect your device.

3. Cap Sheet

A clear film to shield the glass and help with install alignment.

4. Alignment Tool

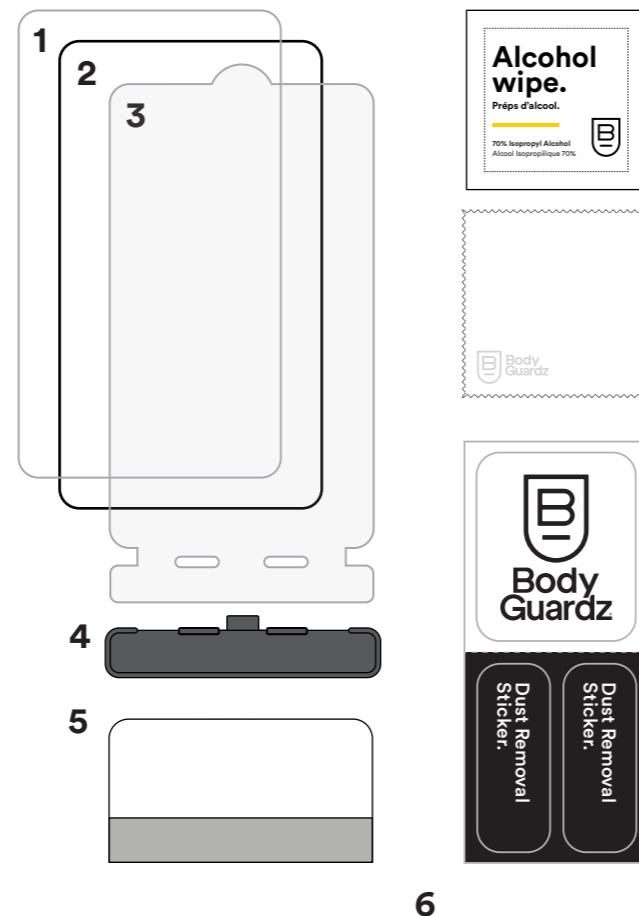
A plastic guide inserted into the charging port of the device to help align the protector.

5. Squeegee

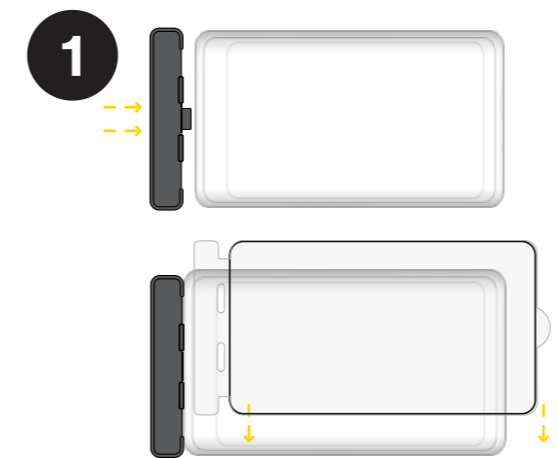
A squeegee to apply even pressure to the protector.

6. Cleaning Kit

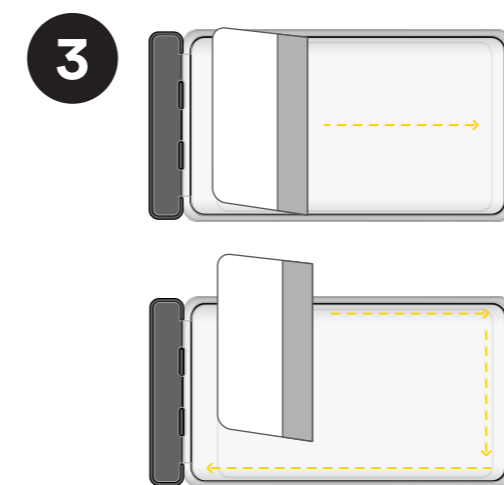
An alcohol wipe, a microfiber cleaning cloth, and dust removal stickers to prepare your screen for installation.



Instructions

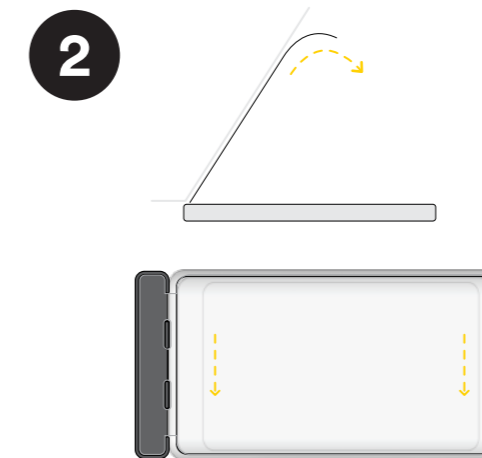


Peel the backing from the alignment tool and insert into the charging port of the device. Align the holes on the alignment sheet with the notches on the alignment tool, then place the protector on the device.

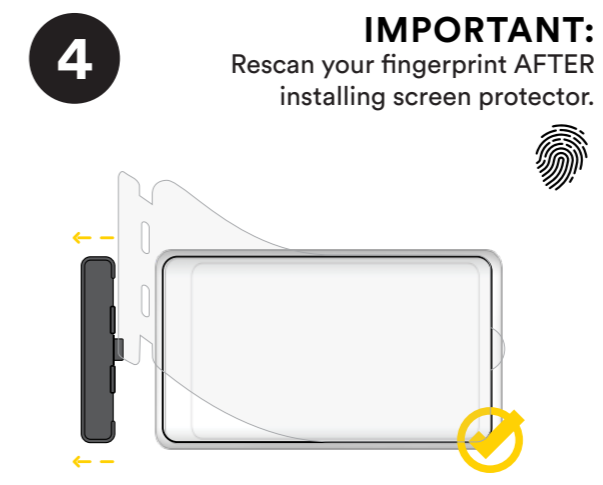


Slowly move the squeegee from the bottom to the top of the device. Use medium pressure. Run the squeegee along the edges to push out any remaining bubbles.

Install Video:
bodyguardz.com/install



Lift the protector and peel off the adhesive release liner. Place the protector back on the device and press down. Use the speaker to ensure the cap sheet and protector are positioned correctly.



Remove the alignment tool, and peel off the alignment sheet. If bubbles persist, use the squeegee to chase and release them at the edges of the protector.

This product qualifies for
FREE Lifetime Replacements

Register now to get free replacements for the life of your device.

bodyguardz.com/register

Replacements fulfilled by retail partners may carry additional fees and conditions.

Any remaining bubbles should disappear within 24-48 hrs.

Dust removal after installation:

Use the provided dust removal stickers to pull out any trapped dust. Carefully lift up the corner of the protector closest to the dust particle and place the sticky side of the strip against the piece of dust. Then, pull dust sticker straight out.

To remove protector:

Carefully lift one corner and slowly pull the protector off your device.

Replacement information: BodyGuardz warrants to the original purchaser that if this product proves defective in materials or workmanship for 1 year from the date of proof of purchase, it will be subject to the terms of this warranty and may be replaced at BodyGuardz option.

Replacement limitations and exclusions: When ordering a replacement, you are acknowledging that you will return your original BodyGuardz product within 60 days. BodyGuardz policy states that if the original protector is not returned in this time, customers will be charged full price for the replacement protector. You may also be asked to provide proof of purchase. Shipping and handling fees apply. Returning damaged screen protector is required and return postage may apply.

Warranty information: This warranty does not apply to any product which has suffered through normal wear and tear, accident, alteration, improper installation, physical abuse, misuse or neglect. Damage resulting from an act of God, including but not limited to fire, flood, earthquake and other natural disasters will be excluded. This limited warranty is in lieu of all other warranties, express or implied either in fact or by operations of law, statutory or otherwise, including, but not limited to any implied warranty of merchantability or fitness for a particular use. In no event, whether based in contract or tort shall BodyGuardz be liable for incidental, consequential, indirect, special, or punitive damages of any kind resulting from the use of this product. In no event shall BodyGuardz be liable for damage in excess of the purchase price. BodyGuardz and the BodyGuardz logo are registered trademarks of NLU Products®, LLC dba BodyGuardz.

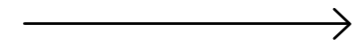
BodyGuardz PRTX with Install Guide - Regular Install Guide

INSTALLATION INSTRUCTIONS



Installation Kit

Instructions on reverse



1. Adhesive Release Liner

A clear film covering the adhesive side of the protector.

2. Screen Protector

The shatterproof, synthetic glass that will protect your device.

3. Cap Sheet

A clear film to shield the glass and help with install alignment.

4. Installation Guide

A plastic tray to precisely align the protector to your device.

5. Squeegee

A plastic squeegee to apply firm, even pressure to the protector.

6. Cleaning Kit

An alcohol wipe, a microfiber cleaning cloth, and dust removal stickers to prepare your screen for installation.



Replacement information: BodyGuardz warrants to the original purchaser that if this product proves defective in materials or workmanship for 1 year from the date of proof of purchase, it will be subject to the terms of this warranty and may be replaced at BodyGuardz option.

Replacement limitations and exclusions: When ordering a replacement, you are acknowledging that you will return your original BodyGuardz product within 60 days. BodyGuardz policy states that if the original protector is not returned in this time, customers will be charged full price for the replacement protector. You may also be asked to provide proof of purchase. Shipping and handling fees apply. Returning damaged screen protector is required and return postage may apply.

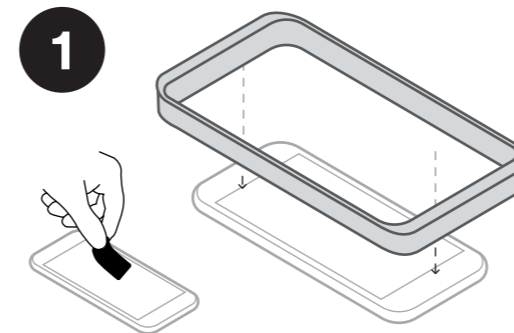
Warranty information: This warranty does not apply to any product which has suffered through normal wear and tear, accident, alteration, improper installation, physical abuse, misuse or neglect. Damage resulting from an act of God, including but not limited to fire, flood, earthquake and other natural disasters will be excluded. This limited warranty is in lieu of all other warranties, express or implied either in fact or by operations of law, statutory or otherwise, including, but not limited to any implied warranty of merchantability or fitness for a particular use. In no event, whether based in contract or tort shall BodyGuardz be liable for incidental, consequential, indirect, special, or punitive damages of any kind resulting from the use of this product. In no event shall BodyGuardz be liable for damage in excess of the purchase price. BodyGuardz and the BodyGuardz logo are registered trademarks of NLU Products®, LLC dba BodyGuardz.

BodyGuardz

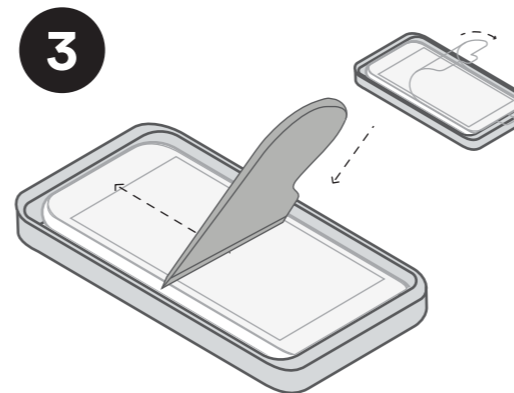
bodyguardz.com

Installation Instructions

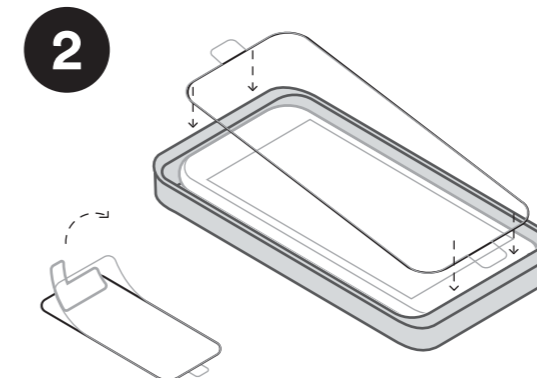
Install Video: bodyguardz.com/install



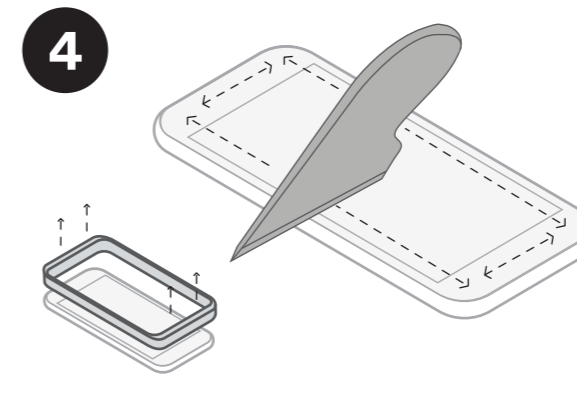
Use the provided alcohol wipe to clean your screen thoroughly. Wipe away any streaks with the microfiber cleaning cloth. Gently tap the dust removal sticker over the surface of the screen to remove any dust particles. Then, firmly place the installation guide on top of the device.



Once aligned and placed, slowly push air bubbles out by running the plastic squeegee from the bottom to the top of the device. Use firm, even pressure. Repeat as needed. Remove the cap sheet.



While holding the protector, peel off the release liner to expose the adhesive. Use the installation guide to align and place the protector on the device, starting at the bottom.



Remove the installation guide. Adhere the protector to your device by running the squeegee along the edges to push out any remaining bubbles.

This product qualifies for **FREE Lifetime Replacements**

Register now to get free replacements for the life of your device.

bodyguardz.com/register

Replacements fulfilled by retail partners may carry additional fees and conditions.

Any remaining bubbles should disappear within 24-48 hrs.

Dust removal after installation:

Use the provided dust removal stickers to pull out any trapped dust. Carefully lift up the corner of the protector closest to the dust particle and place the sticky side of the strip against the piece of dust. Then, pull dust sticker straight out.

To remove protector:

Carefully lift one corner and slowly pull the protector off your device.

BodyGuardz PRTX with Install Guide - Top and Bottom Pegs

INSTALLATION INSTRUCTIONS



Installation Kit

Instructions on reverse



1. Adhesive Release Liner

A clear film covering the adhesive side of the protector.

2. Screen Protector

The shatterproof, synthetic glass that will protect your device.

3. Cap Sheet

A clear film to shield the glass and help with install alignment.

4. Installation Guide

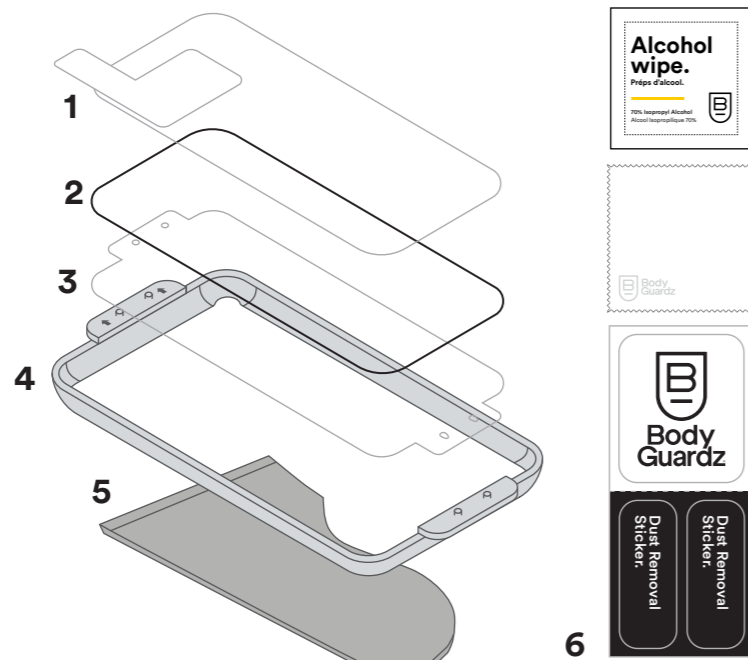
A plastic tray to precisely align the protector to your device.

5. Squeegee

A plastic squeegee to apply firm, even pressure to the protector.

6. Cleaning Kit

An alcohol wipe, a microfiber cleaning cloth, and dust removal stickers to prepare your screen for installation.



Replacement information: BodyGuardz warrants to the original purchaser that if this product proves defective in materials or workmanship for 1 year from the date of proof of purchase, it will be subject to the terms of this warranty and may be replaced at BodyGuardz option.

Replacement limitations and exclusions: When ordering a replacement, you are acknowledging that you will return your original BodyGuardz product within 60 days. BodyGuardz policy states that if the original protector is not returned in this time, customers will be charged full price for the replacement protector. You may also be asked to provide proof of purchase. Shipping and handling fees apply. Returning damaged screen protector is required and return postage may apply.

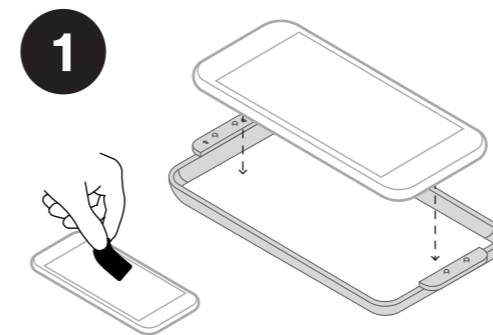
Warranty information: This warranty does not apply to any product which has suffered through normal wear and tear, accident, alteration, improper installation, physical abuse, misuse or neglect. Damage resulting from an act of God, including but not limited to fire, flood, earthquake and other natural disasters will be excluded. This limited warranty is in lieu of all other warranties, express or implied either in fact or by operations of law, statutory or otherwise, including, but not limited to any implied warranty of merchantability or fitness for a particular use. In no event, whether based in contract or tort shall BodyGuardz be liable for incidental, consequential, indirect, special, or punitive damages of any kind resulting from the use of this product. In no event shall BodyGuardz be liable for damage in excess of the purchase price. BodyGuardz and the BodyGuardz logo are registered trademarks of NLU Products®, LLC dba BodyGuardz.

BodyGuardz

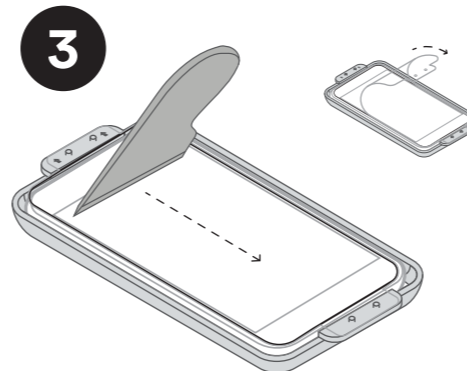
bodyguardz.com

Installation Instructions

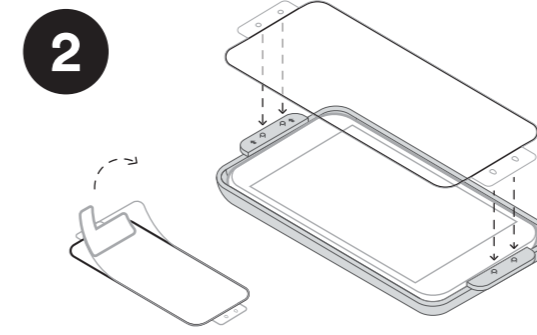
Install Video: bodyguardz.com/install



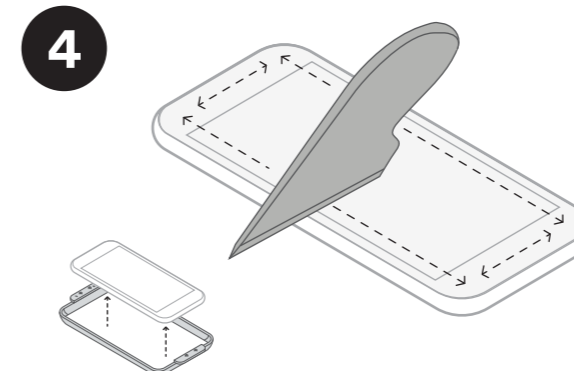
Use the provided alcohol wipe to clean your screen thoroughly. Wipe away any streaks with the microfiber cleaning cloth. Gently tap the dust removal sticker over the surface of the screen to remove any dust particles. Then, firmly place the device inside the installation guide with the top of the device at the "top" end of the installation guide.



Once aligned and placed, adhere the protector to your device by slowly running the plastic squeegee from the top to the bottom. Use firm, even pressure. Repeat as needed. Pull the cap sheet off the protector.



While holding the protector, peel off the release liner to expose the adhesive. Align the protector over the device, with the adhesive side down, by placing the holes in the cap sheet over the pegs at the top of the guide first and then over the pegs at the bottom.



Remove the device from the installation guide. Run the squeegee along the edges to push out any remaining bubbles.

This product qualifies for **FREE Lifetime Replacements**

Register now to get free replacements for the life of your device.

bodyguardz.com/register

Replacements fulfilled by retail partners may carry additional fees and conditions.

Any remaining bubbles should disappear within 24-48 hrs.

Dust removal after installation:

Use the provided dust removal stickers to pull out any trapped dust. Carefully lift up the corner of the protector closest to the dust particle and place the sticky side of the strip against the piece of dust. Then, pull dust sticker straight out.

To remove protector:

Carefully lift one corner and slowly pull the protector off your device.

BodyGuardz PRTX - Apple Watch with Install Guide

INSTALLATION INSTRUCTIONS



Installation Kit

Instructions on reverse

1. Adhesive Release Liner

A clear film covering the adhesive side of the protector.

2. Screen Protector

The shatterproof, synthetic glass that will protect your device.

3. Cap Sheet

A clear film to shield the glass and help with install alignment.

4. Installation Guide

A plastic tray to precisely align the protector to your device.

5. Squeegee

A plastic squeegee to apply hard, even pressure to the protector.

6. Cleaning Kit

An alcohol wipe, a microfiber cleaning cloth, and dust removal stickers to prepare your screen for installation.



Replacement information: BodyGuardz warrants to the original purchaser that if this product proves defective in materials or workmanship for 1 year from the date of proof of purchase, it will be subject to the terms of this warranty and may be replaced at BodyGuardz option.

Replacement limitations and exclusions: When ordering a replacement, you are acknowledging that you will return your original BodyGuardz product within 60 days. BodyGuardz policy states that if the original protector is not returned in this time, customers will be charged full price for the replacement protector. You may also be asked to provide proof of purchase. Shipping and handling fees apply. Returning damaged screen protector is required and return postage may apply.

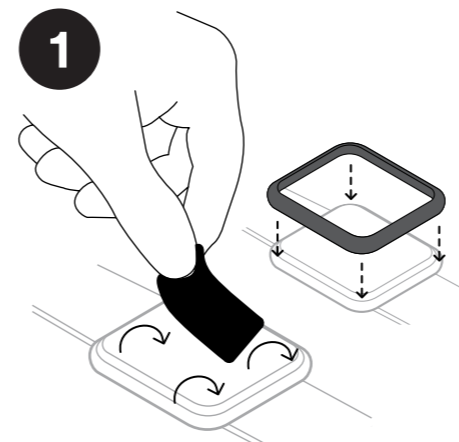
Warranty information: This warranty does not apply to any product which has suffered through normal wear and tear, accident, alteration, improper installation, physical abuse, misuse or neglect. Damage resulting from an act of God, including but not limited to fire, flood, earthquake and other natural disasters will be excluded. This limited warranty is in lieu of all other warranties, express or implied either in fact or by operations of law, statutory or otherwise, including, but not limited to any implied warranty of merchantability or fitness for a particular use. In no event, whether based in contract or tort shall BodyGuardz be liable for incidental, consequential, indirect, special, or punitive damages of any kind resulting from the use of this product. In no event shall BodyGuardz be liable for damage in excess of the purchase price. BodyGuardz and the BodyGuardz logo are registered trademarks of NLU Products®, LLC dba BodyGuardz.

BodyGuardz

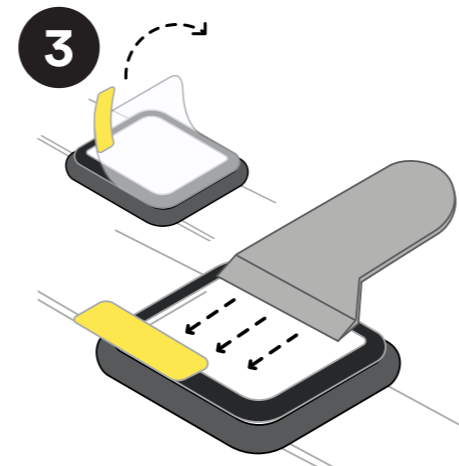
bodyguardz.com

Instructions

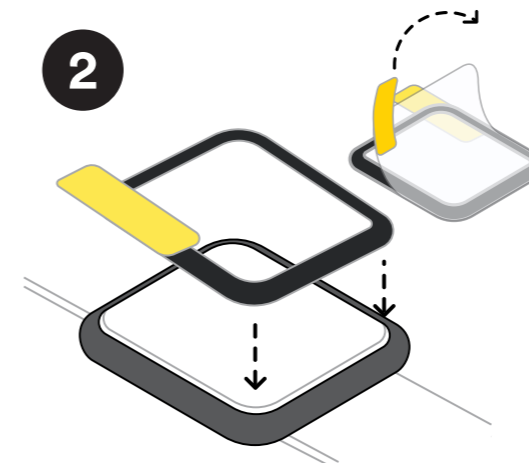
Install Video:
bodyguardz.com/install



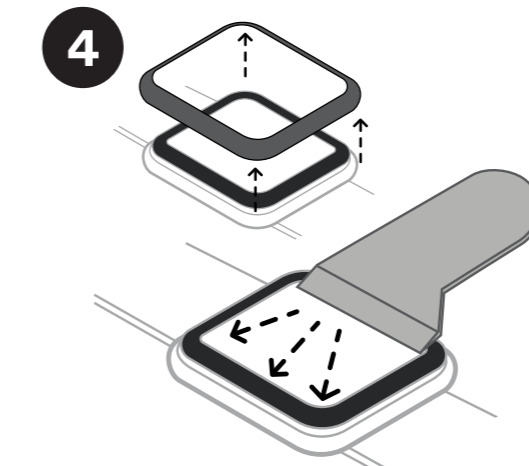
Use the provided alcohol wipe to clean your screen thoroughly. Wipe away any streaks with the microfiber cleaning cloth. Gently tap the dust removal sticker over the surface of the screen to remove any dust particles. Then, firmly place the installation guide on top of the watch.



Once aligned and placed, slowly push air bubbles out by running the plastic squeegee across the screen. Repeat as needed. Remove the cap sheet.



While holding the protector, peel off the release liner to expose the adhesive. Use the installation guide to align and place the protector on the watch, starting at the bottom.



Remove the installation guide. If bubbles persist, use the squeegee to chase and release them at the edges of the protector.

This product qualifies for
FREE Lifetime Replacements

Register now to get free replacements for the life of your device.

bodyguardz.com/register

Replacements fulfilled by retail partners may carry additional fees and conditions.

Dust removal: It is critical there are no dust particles on your device.

Air bubble removal: It may be easier using your thumbnail to push air bubbles toward the edges. Take your time, using medium to heavy pressure. If bubbles persist, use the squeegee to push and release them at the edges of the screen protector.

To remove protector: Carefully lift one corner and slowly pull the protector off your watch.

BodyGuardz PRTX - Apple Watch without Install Guide

INSTALLATION INSTRUCTIONS



Installation Kit

Instructions on reverse

1. Adhesive Release Liner

A clear film covering the adhesive side of the protector.

2. Screen Protector

The shatterproof, synthetic glass that will protect your device.

3. Cap Sheet

A clear film to shield the glass and help with install alignment.

4. Squeegee

A plastic squeegee to apply hard, even pressure to the protector.

5. Cleaning Kit

An alcohol wipe, a microfiber cleaning cloth, and dust removal stickers to prepare your screen for installation.



Replacement information: BodyGuardz warrants to the original purchaser that if this product proves defective in materials or workmanship for 1 year from the date of proof of purchase, it will be subject to the terms of this warranty and may be replaced at BodyGuardz option.

Replacement limitations and exclusions: When ordering a replacement, you are acknowledging that you will return your original BodyGuardz product within 60 days. BodyGuardz policy states that if the original protector is not returned in this time, customers will be charged full price for the replacement protector. You may also be asked to provide proof of purchase. Shipping and handling fees apply. Returning damaged screen protector is required and return postage may apply.

Warranty information: This warranty does not apply to any product which has suffered through normal wear and tear, accident, alteration, improper installation, physical abuse, misuse or neglect. Damage resulting from an act of God, including but not limited to fire, flood, earthquake and other natural disasters will be excluded. This limited warranty is in lieu of all other warranties, express or implied either in fact or by operations of law, statutory or otherwise, including, but not limited to any implied warranty of merchantability or fitness for a particular use. In no event, whether based in contract or tort shall BodyGuardz be liable for incidental, consequential, indirect, special, or punitive damages of any kind resulting from the use of this product. In no event shall BodyGuardz be liable for damage in excess of the purchase price. BodyGuardz and the BodyGuardz logo are registered trademarks of NLU Products®, LLC dba BodyGuardz.

BodyGuardz

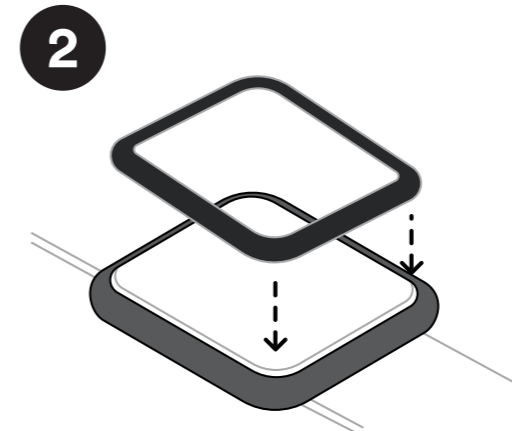
bodyguardz.com

Instructions

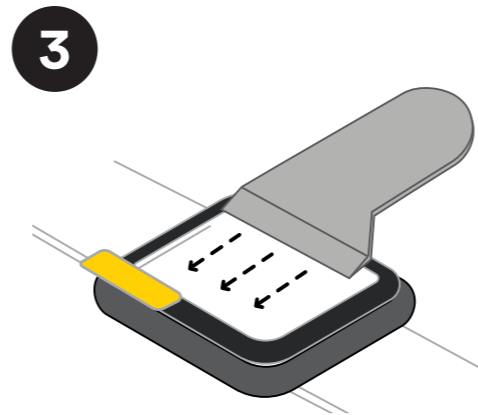
Install Video:
bodyguardz.com/install



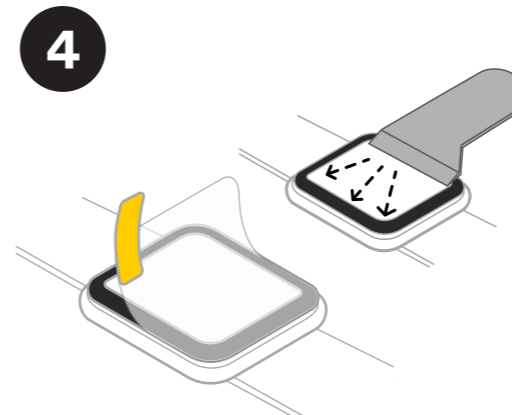
1 Clean your watch's screen thoroughly before you begin. While holding the protector, peel off the release liner to expose the adhesive.



2 Align the protector with your watch, and gently press down.



3 Once aligned and placed, slowly push air bubbles out by running the plastic squeegee across the screen. Repeat as needed.



4 Remove the cap sheet. If bubbles persist, use the squeegee to chase and release them at the edges of the protector.

This product qualifies for
FREE Lifetime Replacements

Register now to get free replacements for the life of your device.

bodyguardz.com/register

Replacements fulfilled by retail partners may carry additional fees and conditions.

Dust removal: It is critical there are no dust particles on your device.

Air bubble removal: It may be easier using your thumbnail to push air bubbles toward the edges. Take your time, using medium to heavy pressure. If bubbles persist, use the squeegee to push and release them at the edges of the screen protector.

To remove protector: Carefully lift one corner and slowly pull the protector off your watch.

BodyGuardz PRTX - FitBit Versa with Install Guide

INSTALLATION INSTRUCTIONS



Installation Kit

Instructions on reverse

1. Adhesive Release Liner

A clear film covering the adhesive side of the protector.

2. Screen Protector

The shatterproof, synthetic glass that will protect your device.

3. Installation Guide

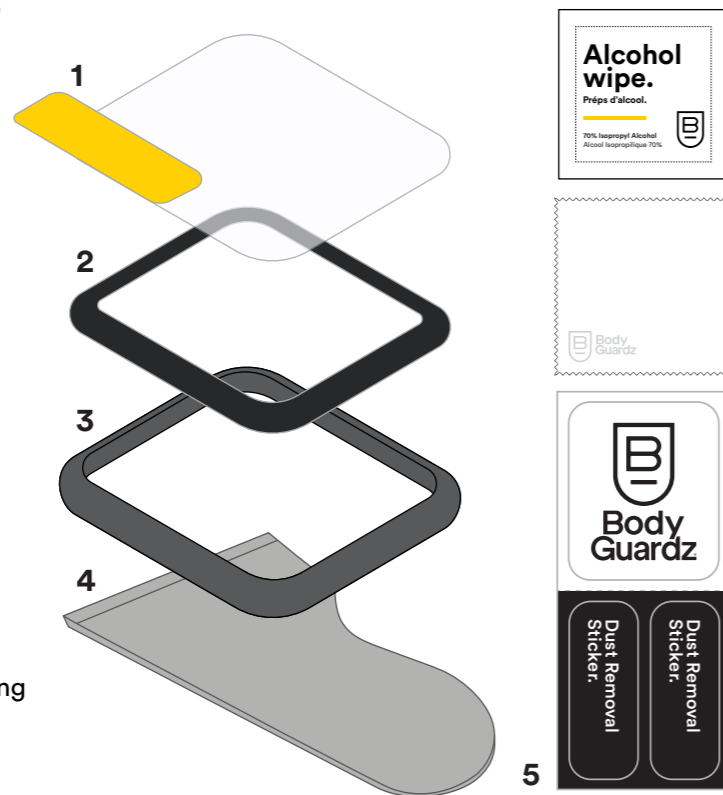
A plastic tray to precisely align the protector to your device.

4. Squeegee

A plastic squeegee to apply hard, even pressure to the protector.

5. Cleaning Kit

An alcohol wipe, a microfiber cleaning cloth, and dust removal stickers to prepare your screen for installation.



Replacement information: BodyGuardz warrants to the original purchaser that if this product proves defective in materials or workmanship for 1 year from the date of proof of purchase, it will be subject to the terms of this warranty and may be replaced at BodyGuardz option.

Replacement limitations and exclusions: When ordering a replacement, you are acknowledging that you will return your original BodyGuardz product within 60 days. BodyGuardz policy states that if the original protector is not returned in this time, customers will be charged full price for the replacement protector. You may also be asked to provide proof of purchase. Shipping and handling fees apply. Returning damaged screen protector is required and return postage may apply.

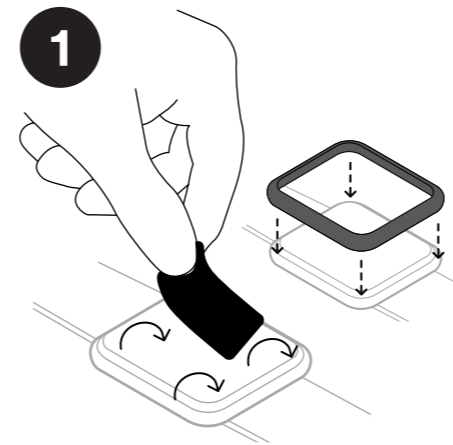
Warranty information: This warranty does not apply to any product which has suffered through normal wear and tear, accident, alteration, improper installation, physical abuse, misuse or neglect. Damage resulting from an act of God, including but not limited to fire, flood, earthquake and other natural disasters will be excluded. This limited warranty is in lieu of all other warranties, express or implied either in fact or by operations of law, statutory or otherwise, including, but not limited to any implied warranty of merchantability or fitness for a particular use. In no event, whether based in contract or tort shall BodyGuardz be liable for incidental, consequential, indirect, special, or punitive damages of any kind resulting from the use of this product. In no event shall BodyGuardz be liable for damage in excess of the purchase price. BodyGuardz and the BodyGuardz logo are registered trademarks of NLU Products®, LLC dba BodyGuardz.

BodyGuardz

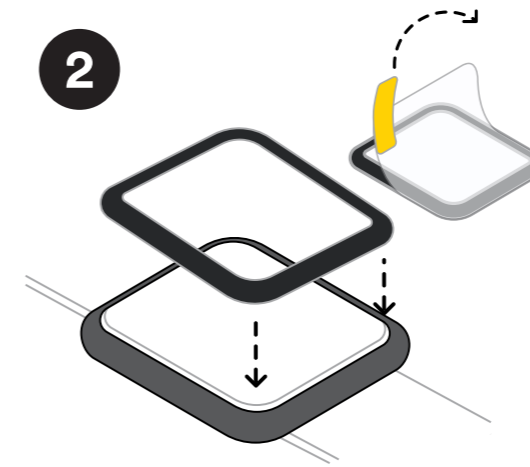
bodyguardz.com

Instructions

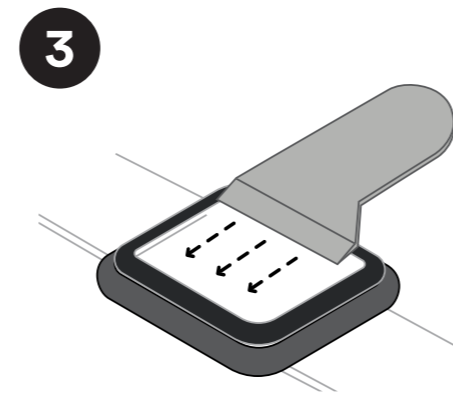
Install Video:
bodyguardz.com/install



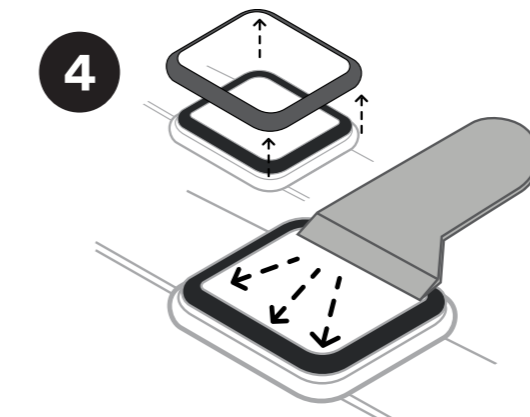
Use the provided alcohol wipe to clean your screen thoroughly. Wipe away any streaks with the microfiber cleaning cloth. Gently tap the dust removal sticker over the surface of the screen to remove any dust particles. Then, firmly place the installation guide on top of the watch.



While holding the protector, peel off the release liner to expose the adhesive. Use the installation guide to align and place the protector on the watch, starting at the bottom.



Once aligned and placed, slowly push air bubbles out by running the plastic squeegee across the screen. Repeat as needed.



Remove the installation guide. If bubbles persist, use the squeegee to chase and release them at the edges of the protector.

This product qualifies for
FREE Lifetime Replacements

Register now to get free replacements for the life of your device.

bodyguardz.com/register

Replacements fulfilled by retail partners may carry additional fees and conditions.

Dust removal: It is critical there are no dust particles on your device.

Air bubble removal: It may be easier using your thumbnail to push air bubbles toward the edges. Take your time, using medium to heavy pressure. If bubbles persist, use the squeegee to push and release them at the edges of the screen protector.

To remove protector: Carefully lift one corner and slowly pull the protector off your watch.

BodyGuardz UltraTough - Smartphones, Tablets, and Watches



INSTALLATION INSTRUCTIONS

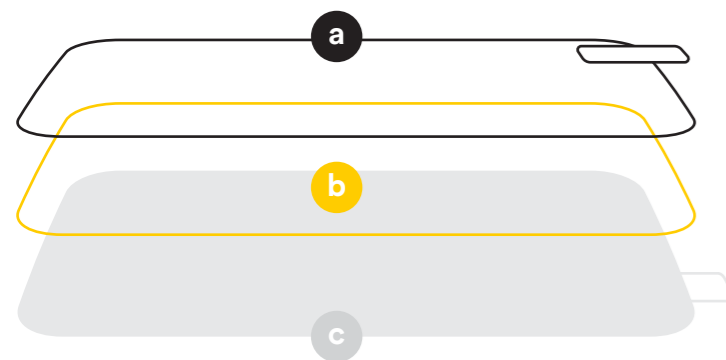
UltraTough® Installation

for smartphones & tablets

Make your install easier.

Watch installation videos:

bodyguardz.com/install



- a Cap Sheet**
Clear, rigid sheet covering the protective film.
- b UltraTough Protector**
Film that protects your device.
- c Back Liner**
White sheet protecting adhesive side of film.

Important: Follow the instructions carefully. There are two methods to install your protector: with or without the application gel.



Gel Application

The gel application method allows you to more easily position your protector and minimizes bubbles. Although it requires about 30 minutes to dry before use, there will be significantly less haze than the dry method immediately after application. We recommend waiting overnight before putting device in your pocket. The protector will take up to 72 hours to completely cure.



Dry Application

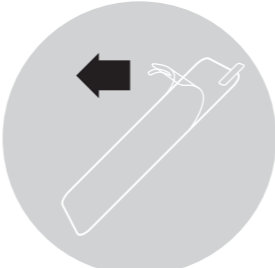
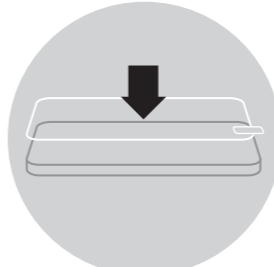
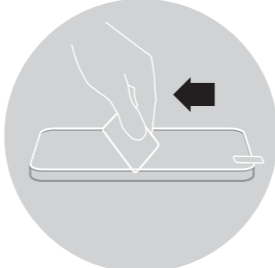
The dry apply method offers a quicker application, though your protector cannot be repositioned once it is applied. As the adhesive cures, there will be a visible haze immediately following application which should completely cure within 96 hours. Your device will be ready for use immediately after application, but we recommend waiting overnight before putting it in your pocket.

Preparation

Turn your device off, wash your hands, clean your device with provided cleaning cloth, and use the provided dust removal stickers to ensure your device is free of dust and grime.

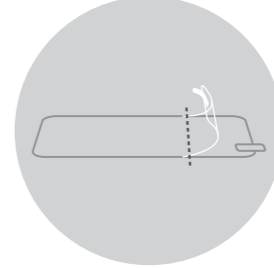
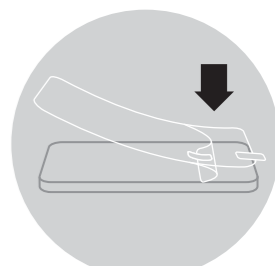
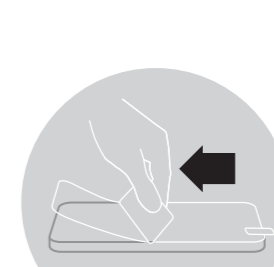
NOTE: Illustrations do not necessarily represent your device.

Gel Application Instructions

- 1**  Remove the film from the white back liner. Using your finger, spread application gel over the entire sticky side of the film. Only a few drops of gel are needed.
- 2**  Set the protector on the device, reposition by placing your fingers on the film and gliding it into the correct position.
- 3**  Using a credit card covered with the provided cleaning cloth, squeegee from the middle to remove all bubbles and excess gel.
- 4** Let sit for 30 minutes, then carefully remove the cap sheet (a) by pulling on the tab. Any haziness will disappear over time.

FOR FULL BODY: Repeat process for back protector. Apply any side pieces by peeling them off the back liner and placing them according to included diagram (no gel is needed for side pieces).

Dry Application Instructions

- 1**  With the film facing down, peel the white back liner off 1-1.5 inches from the top and crease the liner, exposing the adhesive side of the film. Be careful not to touch the adhesive.
- 2**  Position the film over the device using edges, buttons and camera to judge the alignment. When it is aligned, press down on the exposed adhesive portion.
- 3**  Using a credit card covered with the provided cleaning cloth, press down the remaining portion of the film, letting the back liner slip away. Rub the surface with card or cleaning cloth to smooth out any bubbles.
- 4** Carefully remove the cap sheet (a) by pulling on the tab. Any haziness will disappear over time.

FOR FULL BODY: Repeat process for back protector. Apply any side pieces by peeling them off the back liner and placing them according to included diagram.

BodyGuardz UltraTough - MacBooks

INSTALLATION INSTRUCTIONS



UltraTough® Installation for MacBook®

Install Video:
bodyguardz.com/install

PREPARATION

Wash your hands. Turn your MacBook off and clean it with the provided cleaning cloth.

APPLICATION GEL

The gel allows you to more easily position your protector and minimizes bubbles. Although it requires about 30 minutes to dry before use, there will be significantly less haze. We recommend waiting overnight before putting your MacBook in a case or bag. The gel will take up to 72 hours to completely cure.

INSTALLATION TIPS

- Apply the wrist rest portions first. These are the easiest pieces to install.
- When applying the top, use the apple to align the protector. Make sure your spacing on the apple is correct so it will align properly.
- When applying the bottom, line up the back screw holes and the protector will align properly.

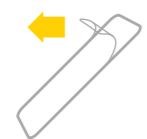
QUESTIONS?


support@bodyguardz.com

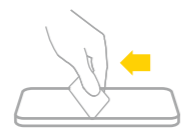
   @bodyguardz


YOU NEED


A credit card, cleaning cloth, and application gel.


1  Remove the film from the white back liner. Using your finger, spread application gel over the entire sticky side of the film.

2  Put the film on the MacBook. Reposition film by gliding it into the correct position with your fingers.

3  Using a credit card covered with the provided cleaning cloth, squeegee from the middle to remove all bubbles and excess gel.

4  Repeat the process for all pieces of the protector.

5  Let sit for 30 minutes. Any haziness will disappear over time.

6  Learn more & register your product at bodyguardz.com/advantage_program. Replacements fulfilled by retail partners may carry additional fees and conditions. S + H may apply.

FREE Lifetime Replacements

BodyGuardz UltraTough with Install Guide - Bottom Install

INSTALLATION INSTRUCTIONS



Installation Kit

→ Instructions on reverse

1. Adhesive Release Liner

A clear film covering the adhesive side of the protector.

2. Screen Protector

The shatterproof, synthetic glass that will protect your device.

3. Cap Sheet

A clear film to shield the glass and help with install alignment.

4. Alignment Tool

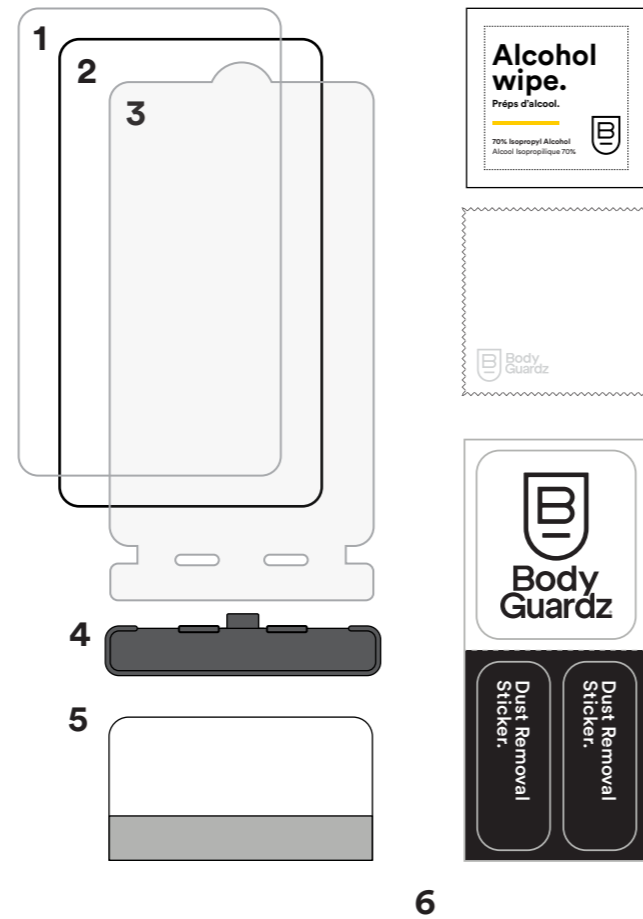
A plastic guide inserted into the charging port of the device to help align the protector.

5. Squeegee

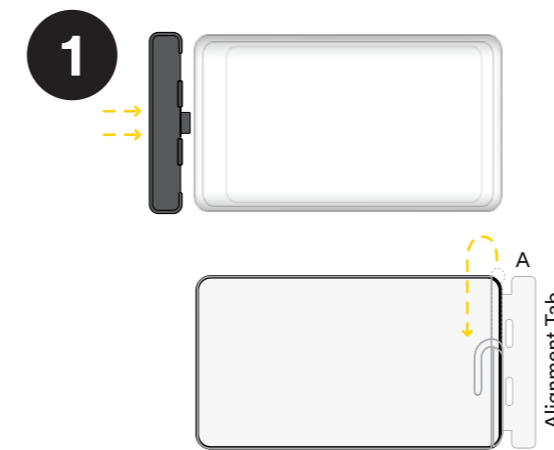
A squeegee to apply even pressure to the protector.

6. Cleaning Kit

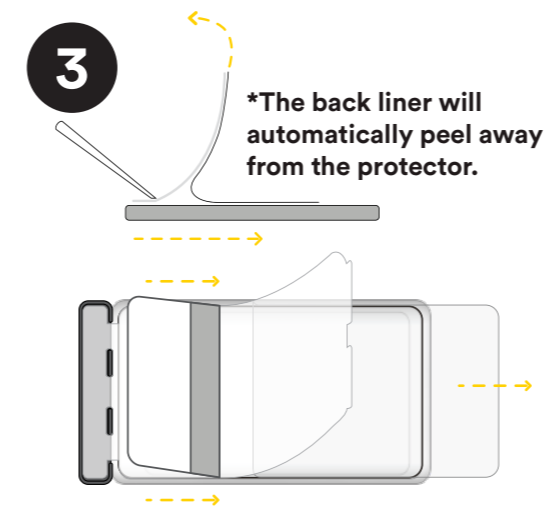
An alcohol wipe, a microfiber cleaning cloth, and dust removal stickers to prepare your screen for installation.



Instructions

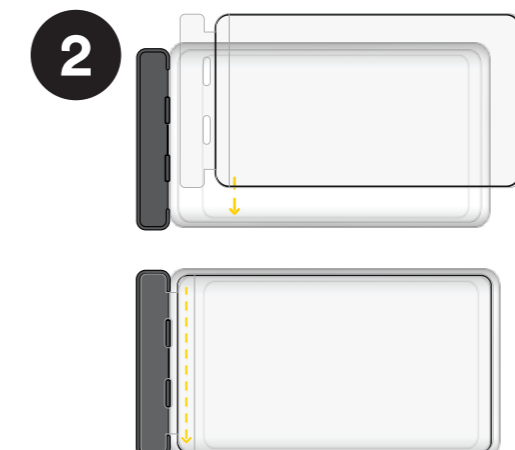


Peel the backing from the alignment tool and insert it in the charging port of the device. Peel off the bottom strip of the back liner near the alignment tab (A).

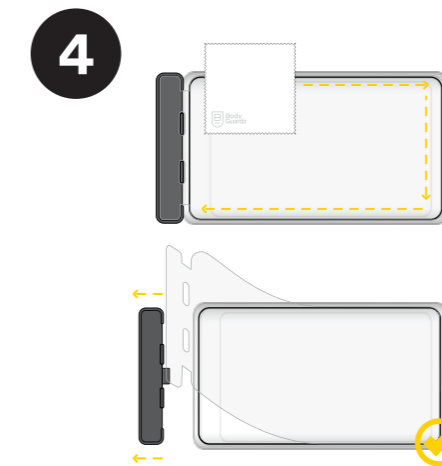


Place the squeegee at the bottom of the protector, then lift the top edge of the protector to expose adhesive. Slowly run the squeegee from the bottom to the top of the device.* Use medium pressure.

Install Video:
bodyguardz.com/install



Align the holes on the cap sheet with the notches on the alignment tool, and place the protector on the device. Use the speaker to ensure the cap sheet and protector are positioned correctly.



Press down on the edges with the provided cleaning cloth, then peel off the cap sheet, starting from the bottom. Remove the alignment tool.

This product qualifies for
FREE Lifetime Replacements

Register now to get free replacements for the life of your device.

bodyguardz.com/register

Replacements fulfilled by retail partners may carry additional fees and conditions.

Dust removal: It is critical there are no dust particles on your device.

Air bubble removal: It may be easier using your thumbnail to push air bubbles toward the edges. Take your time, using medium to heavy pressure. If bubbles persist, use the squeegee to push and release them at the edges of the screen protector.

To remove protector: Carefully lift one corner and slowly pull the protector off your watch.

Replacement information: BodyGuardz warrants to the original purchaser that if this product proves defective in materials or workmanship for 1 year from the date of proof of purchase, it will be subject to the terms of this warranty and may be replaced at BodyGuardz option.

Replacement limitations and exclusions: When ordering a replacement, you are acknowledging that you will return your original BodyGuardz product within 60 days. BodyGuardz policy states that if the original protector is not returned in this time, customers will be charged full price for the replacement protector. You may also be asked to provide proof of purchase. Shipping and handling fees apply. Returning damaged screen protector is required and return postage may apply.

Warranty information: This warranty does not apply to any product which has suffered through normal wear and tear, accident, alteration, improper installation, physical abuse, misuse or neglect. Damage resulting from an act of God, including but not limited to fire, flood, earthquake and other natural disasters will be excluded. This limited warranty is in lieu of all other warranties, express or implied either in fact or by operations of law, statutory or otherwise, including, but not limited to any implied warranty of merchantability or fitness for a particular use. In no event, whether based in contract or tort shall BodyGuardz be liable for incidental, consequential, indirect, special, or punitive damages of any kind resulting from the use of this product. In no event shall BodyGuardz be liable for damage in excess of the purchase price. BodyGuardz and the BodyGuardz logo are registered trademarks of NLU Products®, LLC dba BodyGuardz.

BodyGuardz

bodyguardz.com

BodyGuardz ScreenGuardz HD

INSTALLATION INSTRUCTIONS



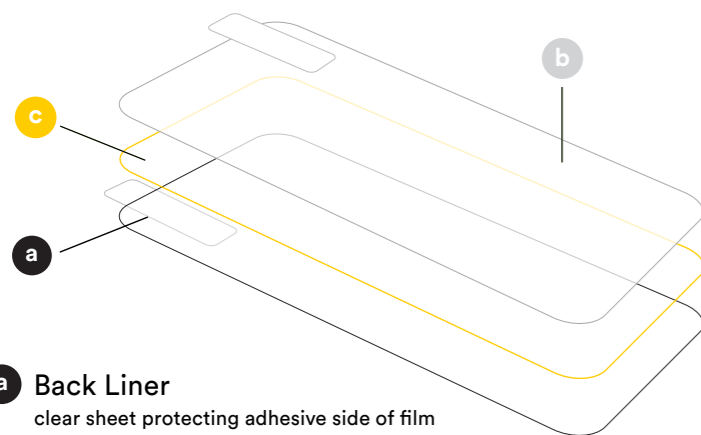
ScreenGuardz® Application Instructions

Important: Follow instructions carefully. Conduct application in as much of a lint-free environment as possible.

We highly recommend you watch our installation videos to make the process even easier.

youtube.com/bodyguardz

*Illustrations provided on these instructions do not necessarily represent your device



a Back Liner
clear sheet protecting adhesive side of film

b Cap Sheet
clear sheet covering the top side of film

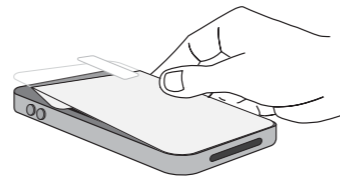
c HD™ Anti-glare / Anti-fingerprint Screen Protector
rigid PET film that protects your device

1
Clean your screen thoroughly with provided cleaning cloth. Make sure no dust or lint is left on the screen.

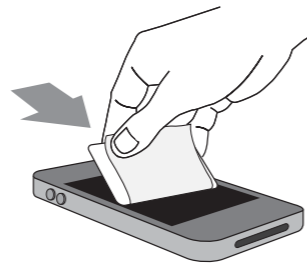
2
With the film facing down, peel the back liner **a** down 1-1.5 inches from the top and crease the liner, exposing the adhesive side of the film. Be careful not to touch the adhesive.



3
Position the film on the device, aligning it properly (use edges, buttons & camera to judge alignment). The fold will allow you to float the film in the exact spot before pressing down the exposed adhesive portion to your device. When it is aligned, press down the exposed adhesive portion.



4
Wrap the provided squeegee card in the cleaning cloth and use it to push out any bubbles. Any remaining bubbles will work themselves out in time.



5
Carefully Remove the cap sheet **b** after the protector has been applied.

bodyguardz.com

BodyGuardz HD Impact


INSTALLATION INSTRUCTIONS

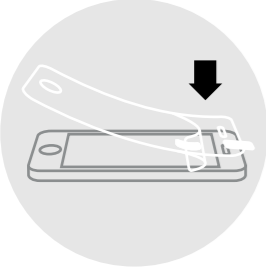



ScreenGuardz **HD IMPACT**


INSTALLATION INSTRUCTIONS

IMPORTANT: Clean your device screen and wash your hands before installation. Watch our installation videos @ youtube.com/bodyguardz

- A circular icon showing a hand peeling a white liner off a rectangular film. A dashed line indicates the peeling path.

1. With the film facing down, peel the back liner down 1.5 inches from the top and crease the liner, exposing the adhesive side of the film. Be careful not to touch the adhesive.
- A circular icon showing a hand holding a film over a smartphone. A downward arrow indicates the film being lowered.

2. Position the film on the device using edges, buttons & camera to judge alignment. The fold will allow you to float the film into place. When it is aligned, press down the exposed adhesive portion to your device.
- A circular icon showing a hand using a squeegee card to push the film onto a smartphone screen. An arrow points left, indicating the direction of the squeegee.

3. Starting at the top of the screen where the adhesive is adhered, slide the provided squeegee card across the rest of the protector, while simultaneously removing the back liner.
- A circular icon showing a hand using a squeegee card to push out bubbles from a film on a smartphone screen.

4. Use the squeegee and cleaning cloth to push out any bubbles. Carefully remove the cap sheet after the protector has been applied.

Any remaining bubbles will disappear within 24-48 hours.


BodyGuardz Armor Carbon Fiber


INSTALLATION INSTRUCTIONS

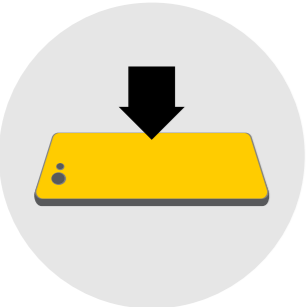


Armor™ Application Instructions

Thanks to air-release technology, installation is very easy. Air-release adhesive makes it easy to push out any air bubbles after installation; and if it isn't aligned perfectly, just carefully remove it and try again!

- 

1 Lay your device screen-down on a flat surface. Carefully remove the armor skin from the white back-liner.
- 

2 Holding the skin at its edges, align it with your device using the edges, buttons, and camera.
- 

3 Once aligned, press the adhesive side of the skin to your device. Press down any corners or edges that are sticking up & smooth out any bubbles with your fingers.

If there are any side pieces included, see enclosed diagram for placement. Be careful not to stretch the material.